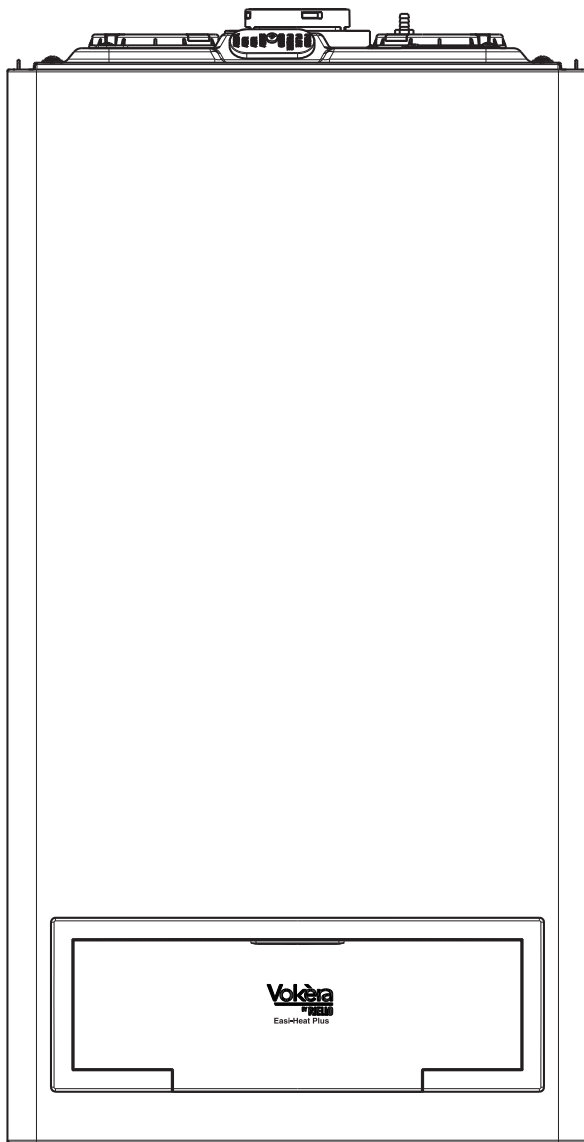


Easi-Heat Plus 18V

High efficiency open vent boiler



Users Instructions

Installation & Servicing Instructions



G.C. N° 41-364-05

THESE INSTRUCTIONS
TO BE RETAINED
BY USER



THE MARK OF QUALITY FOR THE INSTALLATION, COMMISSIONING
AND SERVICING OF DOMESTIC HEATING AND HOT WATER SYSTEMS

Vokèra is a licensed member of the Benchmark scheme
which aims to improve the standards of installation and
commissioning of domestic hot water systems in the UK.

Users instructions

1. THINGS YOU SHOULD KNOW	3
1.1 GAS APPLIANCES	3
1.2 ELECTRICAL SUPPLY	3
1.3 WARRANTY REGISTRATION	3
1.4 APPLIANCE COMMISSIONING CHECKLIST (UK only)	3
1.5 HOW DOES IT WORK?	3
1.6 DIMENSIONS	3
1.7 CLEARANCES REQUIRED	3
1.8 FROST PROTECTION SYSTEM	3
1.9 APPLIANCE STATUS INDICATORS	3
1.10 DIGITAL DISPLAY	4
2. GETTING STARTED	5
2.1 BEFORE SWITCHING ON	5
2.2 APPLIANCE CONTROLS	5
2.3 LIGHTING THE BOILER	5
2.4 ADJUSTING THE OPERATING TEMPERATURE	5
3. HOW TO	5
3.1 HOW TO RESET THE APPLIANCE	5
3.2 HOW TO SHUT DOWN THE SYSTEM FOR SHORT PERIODS	5
3.3 HOW TO SHUT DOWN THE SYSTEM FOR LONG PERIODS	5
3.4 HOW TO CARE FOR THE APPLIANCE	5
4. WHAT IF	6
4.1 WHAT IF I SUSPECT A GAS LEAK	6
4.2 WHAT IF THE RESET LIGHT IS ON	6
4.3 WHAT IF THE APPLIANCE IS DUE ITS ANNUAL SERVICE	6
4.4 WHAT IF I NEED TO CALL AN ENGINEER	6
4.5 WHAT IF THE DISPLAY SHOWS AN UNUSUAL CODE OR NUMBER	6

Installation and servicing instructions

SECTION 1 - DESIGN PRINCIPLES AND OPERATING SEQUENCE

1.1 PRINCIPLE COMPONENTS	9
1.2 MODE OF OPERATION (at rest)	9
1.3 MODE OF OPERATION	9
1.4 SAFETY DEVICES	9

SECTION 2 - TECHNICAL DATA

2.1 CENTRAL HEATING	10
2.2 GAS PRESSURES	10
2.3 DIMENSIONS	10
2.4 CLEARANCES	10
2.5 CONNECTIONS	10
2.6 ELECTRICAL	10
2.7 FLUE DETAILS (CONCENTRIC 60-100)	10
2.7A FLUE DETAILS (CONCENTRIC 80-125)	10
2.7B FLUE DETAILS (TWIN PIPES)	10
2.8 EFFICIENCY	10
2.9 EMISSIONS	10

SECTION 3 - GENERAL REQUIREMENTS (UK)

3.1 RELATED DOCUMENTS	12
3.2 LOCATION OF APPLIANCE	12
3.3 GAS SUPPLY	12
3.4 FLUE SYSTEM	12
3.5 AIR SUPPLY	12
3.6 WATER CIRCULATION	12
3.7 ELECTRICAL SUPPLY	12
3.8 MOUNTING ON A COMBUSTIBLE SURFACE	12
3.9 TIMBER FRAMED BUILDINGS	13
3.10 WATER TREATMENT	13
3.11 APPLIANCE PIPEWORK CONFIGURATION	13

SECTION 3A - GENERAL REQUIREMENTS (EIRE)

3A.1 RELATED DOCUMENTS	15
3A.2 LOCATION OF APPLIANCE	15
3A.3 GAS SUPPLY	15
3A.4 FLUE SYSTEM	15
3A.5 AIR SUPPLY	15
3A.6 WATER CIRCULATION	15
3A.7 ELECTRICAL SUPPLY	15
3A.8 MOUNTING ON A COMBUSTIBLE SURFACE	15
3A.9 TIMBER FRAMED BUILDINGS	15
3A.10 WATER TREATMENT	16
3A.11 APPLIANCE PIPEWORK CONFIGURATION	16
3A.12 DECLARATION OF CONFORMITY	16

SECTION 4 - INSTALLATION

4.1 DELIVERY	17
4.2 CONTENTS	17
4.3 UNPACKING	17
4.4 PREPARATION FOR MOUNTING THE APPLIANCE	17
4.5 FITTING THE FLUE	17
4.6 CONNECTING THE GAS AND WATER	20
4.7 ELECTRICAL CONNECTIONS	21

SECTION 5 - COMMISSIONING

5.1 GAS SUPPLY INSTALLATION	22
5.2 THE HEATING SYSTEM	22
5.3 INITIAL FILLING OF THE SYSTEM	22
5.4 INITIAL FLUSHING OF THE SYSTEM	22
5.5 PRE-OPERATION CHECKS	22
5.6 INITIAL LIGHTING	22
5.7 CHECKING GAS PRESSURE AND COMBUSTION ANALYSIS	22
5.8 FINAL FLUSHING OF THE HEATING SYSTEM	22
5.9 SETTING THE BOILER OPERATING TEMPERATURE	22
5.10 REGULATING THE CENTRAL HEATING SYSTEM	22
5.11 FINAL CHECKS	22
5.12 INSTRUCTING THE USER	23

SECTION 6 - SERVICING INSTRUCTIONS

6.1 GENERAL	23
6.2 ROUTINE ANNUAL SERVICING	23
6.3 REPLACEMENT OF COMPONENTS	23
6.4 COMPONENT REMOVAL PROCEDURE	23
6.5 AUTOMATIC AIR RELEASE VALVE	24
6.6 PRIMARY THERMISTOR	24
6.7 RETURN THERMISTOR	24
6.8 PRINTED CIRCUIT BOARD	24
6.9 GAS VALVE	24
6.10 INJECTOR	24
6.11 ELECTRODES & CONDENSE SENSOR	24
6.12 FLUE FAN & MIXER	24
6.13 BURNER	25
6.14 MAIN HEAT EXCHANGER	25
6.15 CONDENSE TRAP REMOVAL	25
6.16 FLUE COLLECTOR REMOVAL	25

SECTION 7 - CHECKS, ADJUSTMENTS AND FAULT FINDING

7.1 CHECKING APPLIANCE OPERATION	26
7.2 APPLIANCE MODES OF OPERATION	26
7.3 APPLIANCE FAN SPEED	26
7.4 CHECKING THE CO ₂ AND ADJUSTING THE GAS VALVE	27
7.5 COMBUSTION ANALYSIS TEST	27
7.6 EXTERNAL FAULTS	28
7.7 ELECTRICAL CHECKS	28
7.8 FAULT FINDING	28
7.9 COMPONENT VALUES & CHARACTERISTICS	28

SECTION 8 - WIRING DIAGRAMS

8.1 EXTERNAL WIRING	29
8.2 TYPICAL CONTROL APPLICATIONS	29
8.3 OTHER DEVICES	29

SECTION 9 - LPG INSTRUCTIONS

9.1 RELATED DOCUMENTS	32
9.2 TECHNICAL DATA	32
9.3 CONVERTING THE APPLIANCE GAS TYPE	32
9.4 GAS SUPPLY	32
9.5 GAS SUPPLY INSTALLATION	32
9.6 ADJUSTING THE GAS VALVE	32
9.7 APPLIANCE FAN SPEED	33

Commissioning checklist

Benchmark	35-37
------------------------	--------------

USERS INSTRUCTIONS

INTRODUCTION

Dear Customer

Your Vokera **Easi-Heat Plus** boiler has been designed to meet and exceed the very latest standards in gas central heating technology, and if cared for, will give years of reliable use and efficiency.

Please therefore take some time to read these instructions carefully.

Do's and Don't's

- **Do** ensure that the system pressure is periodically checked
- **Do** ensure that the boiler is not used by children or unassisted disabled people
- **Do** ensure that you know how to isolate the appliance in an emergency
- **Do** ensure that you are familiar with the appliance controls
- **Do** ensure that your installer has completed the appliance log book section
- **Do not** attempt to remove the appliance casing or gain internal access
- **Do not** hang clothes etc. over the appliance
- **Do not** forget to have the appliance serviced annually.

This booklet is an integral part of the appliance. It is therefore necessary to ensure that the booklet is handed to the person responsible for the property in which the appliance is located/installed.

A replacement copy can be obtained online from www.vokera.co.uk & www.vokera.ie.

THINGS YOU SHOULD KNOW

1.1 GAS APPLIANCES

Gas Safety (Installation and Use) Regulation (UK).

In the interests of your safety and that of others it is a legal requirement that all gas appliances are installed and correctly maintained by a competent person and in accordance with the latest regulations.

1.2 ELECTRICAL SUPPLY

Please ensure that this appliance has been properly connected to the electrical supply by means of a double pole isolator or un-switched socket, and that the correct size of fuse (3 AMP) has been fitted.

Warning: this appliance must be earthed!

1.3 WARRANTY REGISTRATION

Please take the time to register the appliance warranty using the documentation provided, call 0800 479 0754 (UK) or 056 7755055 to obtain your warranty confirmation code (please have your appliance warranty card to hand).

1.4 APPLIANCE COMMISSIONING CHECKLIST (UK only)

The Benchmark checklist section can be found at the rear of the appliance installation booklet. This important document must be completed during the installation/commissioning of your boiler. All GAS SAFE registered installers carry a GAS SAFE ID card, and have a registration number. These details should be recorded in the Benchmark commissioning checklist section within the installation booklet. You can check your installers details by calling GAS SAFE direct on 08004085500. Failure to install and commission the appliance in accordance with the manufacturers instructions will invalidate the warranty. This does not affect your statutory rights.

1.5 HOW DOES IT WORK?

Your **Easi-Heat Plus V** boiler supplies heated water to your radiators and hot water tank. The central heating and hot water is controlled via a time clock or programmer and any thermostats that your installer may have fitted. The boiler will light when it receives a request from the time clock or programmer via any thermostat that may also be installed. Your **Easi-Heat Plus V** boiler lights electronically and does not have a pilot light. In the unlikely event of a fault developing with your boiler, the supply of gas to the burner will be terminated automatically.

1.6 DIMENSIONS

Easi-Heat Plus	18V
HEIGHT	740 mm
WIDTH	400 mm
DEPTH	358 mm

1.7 CLEARANCES REQUIRED

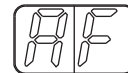
ABOVE	150 mm
BELOW	150 mm
LEFT SIDE	12 mm
RIGHT SIDE	50 mm
FRONT	600 mm

1.8 FROST PROTECTION SYSTEM

The **Easi-Heat Plus V** is equipped with a built-in frost protection system, this enables the boiler to over-ride the time controls – even if switched off – and operate the burner and/or pump, should the temperature drop below 5 °C.

Please note that the frost protection system is designed to protect the appliance only, should frost protection be required for the heating system, additional controls may be required.

When the frost protection system has been activated, 'AF' is displayed on the appliance LED display (see below).



NOTE

The frost protection system is reliant on the appliance having a permanent electrical supply, and being in a non-fault condition.

1.9 APPLIANCE STATUS INDICATORS

Your boiler is equipped with 2 status LED indicators, the Green LED indicates that the appliance is working normally, whilst the Red LED indicates the appliance has detected a fault.

1.10 DIGITAL DISPLAY

The 2-digit digital display will normally show the current working (outlet) temperature of the boiler, however in certain circumstances a fault code or specific characters will be displayed to indicate that the appliance is performing a specific function.

- 1 Green LED indicator
- 2 2-digit LED display
- 3 Red LED indicator
- 4 Heating temperature selector
- 5 Mode selector switch

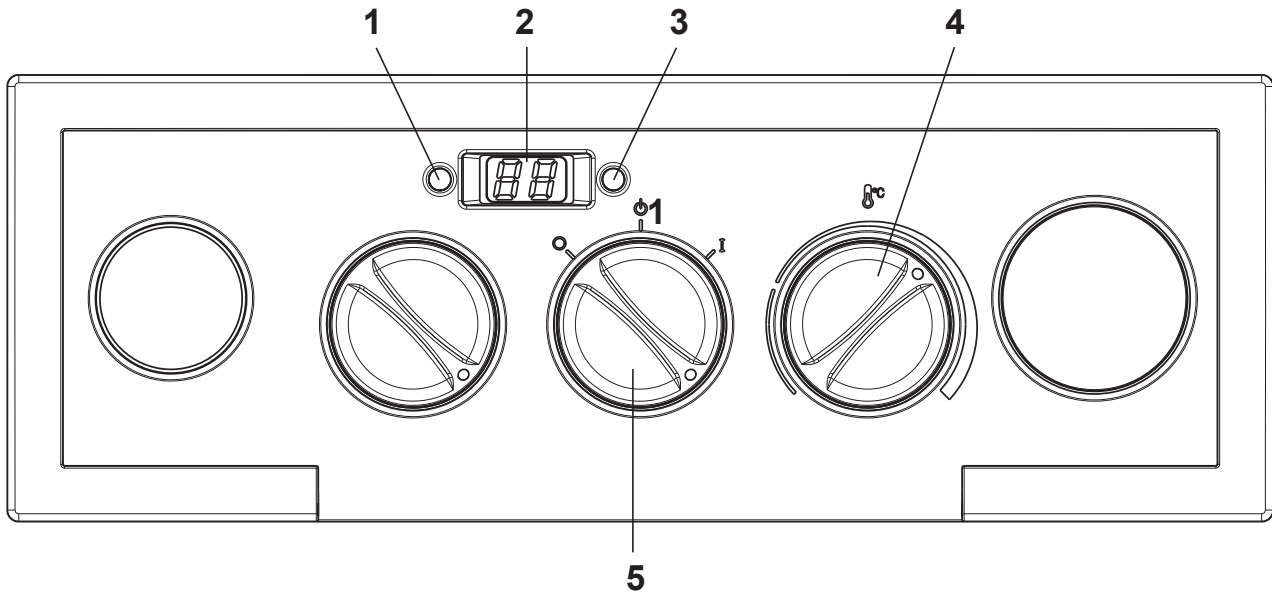


fig. 1

	Boiler at reset/standby	Select this position if/when the boiler requires to be reset
	Boiler switched OFF	Select this position if you want the boiler to remain OFF (this will over-ride any heating/hot water request from the time-clock/programmer)
	Boiler switched ON	Select this position when you want the boiler to respond to a heating/hot water request from the time-clock/programmer
	Temperature selector	Move the temperature selector clockwise to increase the boiler outlet temperature, or counter-clockwise to reduce the outlet flow temperature
	2-digit LED display	Displays the current outlet temperature of the boiler. During a fault condition, the appropriate fault code will be displayed (refer to the users handbook for instructions regarding fault codes)
	Green LED lit	Boiler is working/responding to a heating/hot water request
	Red LED lit	Boiler has identified a fault and has failed-safe. Refer to users handbook for instructions on how to reset

The 2-digit display can show several different modes of operation:

Standby/OFF mode		Autostop function active	
Frost protection mode active		Normal heating request (example 60°C)	
Combustion analysis mode active		Purge cycle mode	

GETTING STARTED

2.1 BEFORE SWITCHING ON

Before switching the appliance on please familiarise yourself with:




- how to isolate the appliance from the gas and electricity supplies;
- any external thermostats and their functions;
- the appliance controls.

2.2 APPLIANCE CONTROLS (see fig. 1)

The appliance controls are situated on the lower front of the appliance. The appliance controls include:

- appliance mode selector;
- temperature selector;
- 2-digit LED display;
- status indicator (green);
- fault indicator (red).

The **appliance mode selector** is used to switch the boiler to the various operating modes:

- RESET “”
- OFF “”
- ON “”.

NOTE

The appliance frost protection is active in all of the above modes.

The **temperature selector** can be used to vary the temperature of the water that circulates around your radiators and/or hot water tank. The temperature range is adjustable between 40°C and 76°C.

The **2-digit LED display normally** shows the operating temperature of the appliance, however it can also display additional characters or flashing numbers to signify specific operating modes or fault codes.

When the **status indicator (Green) is lit** it indicates that the appliance is in operation.

When the **fault indicator (Red) is lit** it indicates that the appliance has identified a possible fault and performed a safety shutdown.

2.3 LIGHTING THE BOILER

Ensure the gas and electrical supply to the boiler are turned on. Turn the mode selector switch to the ON position.

When there is a request for heating or hot water via the time clock or programmer, the boiler will begin an ignition sequence. When the appliance reaches the set temperature, the burner will go off for a minimum period of approximately 5 minutes.

When the programmer/time clock or external thermostats heating request has been satisfied, the appliance will switch off automatically.

2.4 ADJUSTING THE OPERATING TEMPERATURE

Rotate the temperature selector – clockwise to increase, counter-clockwise to decrease – to the desired temperature setting. The temperature can be set from a minimum of 40°C to a maximum of 76°C.

NOTE

If the appliance fails to ignite during the ignition sequence, it will enter a lockout condition. Should this occur, please allow a period of at least two minutes before re-setting the appliance.

HOW TO...

3.1 HOW TO RESET THE APPLIANCE

When the red fault LED is illuminated, the appliance will require to be reset manually. Before resetting the boiler, check what action is required to be taken, using the information on the fault code table below. Allow a period of two minutes to elapse before pressing the reset button.

APPLIANCE FAULT CODES

CODE	ACTION REQUIRED
AL10	Reset appliance. Call engineer if fault re-occurs
AL20	Reset appliance. Call engineer if fault re-occurs
AL21	Reset appliance. Call engineer if fault re-occurs
AL26	Reset appliance. Call engineer if fault re-occurs
AL28	Reset appliance. Call engineer if fault re-occurs
AL34	Reset appliance. Call engineer if fault re-occurs
AL52	Call engineer
AL55	Call engineer
AL60	Call engineer
AL71	Reset appliance. Call engineer if fault re-occurs
AL73	Reset appliance. Call engineer if fault re-occurs
AL74	Reset appliance. Call engineer if fault re-occurs
AL79	Reset appliance. Call engineer if fault re-occurs

IMPORTANT

If the appliance requires to be reset frequently, it may be indicative of a fault, please contact your installer or Vokera Customer Services for further advice.

3.2 HOW TO SHUT DOWN THE SYSTEM FOR SHORT PERIODS

The system and boiler can be shut down for short periods by simply turning the time clock to the off position. It is also advisable to turn off the main water supply to the house.

3.3 HOW TO SHUT DOWN THE SYSTEM FOR LONG PERIODS

If the house is to be left unoccupied for any length of time – especially during the winter – the system should be thoroughly drained of all water. The gas, water and electricity supply to the house should also be turned off. For more detailed advice contact your installer.

3.4 HOW TO CARE FOR THE APPLIANCE

To clean the outer casing use only a clean damp cloth. Do not use any scourers or abrasive cleaners.

WHAT IF...

4.1 WHAT IF I SUSPECT A GAS LEAK

If you suspect a gas leak, turn off the gas supply at the gas meter and contact your installer or local gas supplier. If you require further advice please contact your nearest Vokera office.

4.2 WHAT IF THE RESET LIGHT IS ON

If the Red LED light is illuminated, it indicates that the boiler has failed to ignite or has detected a possible fault. When this happens the boiler automatically shuts down and requires to be reset manually (see 3.1).

4.3 WHAT IF THE APPLIANCE IS DUE ITS ANNUAL SERVICE

Advice for tenants only

Your landlord should arrange for servicing.

Advice for homeowners

Please contact Vokera Customer Services (**0844 391 0999 (UK) or 056 7755057 (ROI)**) if you would prefer a Vokera service engineer or agent to service your appliance. Alternatively your local GAS SAFE registered engineer may be able to service the appliance for you.

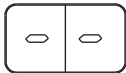
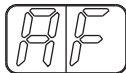
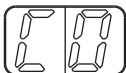

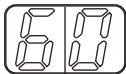

4.4 WHAT IF I NEED TO CALL AN ENGINEER

If you think your boiler may have developed a fault, please contact your installer or Vokera Customer Services (**0844 3910999 (UK) or 056 7755057 (ROI)**) have all your details to hand including full address and postcode, relevant contact numbers, and your appliance log book. It is a requirement of your warranty terms & conditions that your Benchmark logbook has been filled out correctly and is fully up to date.

4.5 WHAT IF THE DISPLAY SHOWS AN UNUSUAL CODE OR NUMBER

The boiler may show an unusual code or character to signify that a special function is in operation or that the boiler requires attention (see 3.1). Whilst some functions are automatically enabled/disabled, others require manual intervention and you may therefore need to contact you engineer or landlord.

The 2-digit display can show several different modes of operation:

Standby/OFF mode	
Frost protection mode active	
Combustion analysis mode active	
Autostop function active	
Normal heating request (example 60°C)	
Purge cycle mode	

- The OFF mode will be displayed when the selector switch is in the OFF position.
- The frost protection mode becomes active automatically if the temperature inside the boiler drops below an acceptable level. This function will be enabled and disabled automatically and no user intervention is necessary.
- Your engineer uses the combustion analysis mode when checking and/or adjusting your boiler. This function requires to be enabled by the engineer.
- The autostop function - if enabled by your social housing provider or landlord - will be displayed to alert you that appliance is due its annual inspection. You should contact your housing provider/landlord if this function is displayed.
- The normal heating request or outlet temperature will be displayed when you adjust the temperature selector or when the boiler is in operation.

The purge cycle mode function is enabled if the electrical supply to the boiler has been switched off or interrupted. This mode will be active for 2-minutes once the electrical power has been restored to the boiler.

INSTALLATION AND SERVICING INSTRUCTIONS

INTRODUCTION

The **Easi-Heat Plus 18V** is a high-efficiency boiler for open vent system.

These appliances – by design – incorporate premix combustion and a radial aluminium heat exchanger.

The **Easi-Heat Plus V** range are produced as room sealed, category II2H3P appliances, suitable for internal wall mounting applications only. Each appliance is provided with a fan powered flue outlet with an annular co-axial combustion air intake that can be rotated – horizontally – through 360 degrees for various horizontal or vertical applications.

The **Easi-Heat Plus 18V** can also be used with the Vokera twin flue system.

These appliances are designed for use with an open-vent system; consequently they are not intended for use on sealed or pressurised systems. Please contact the Vokera technical helpline for advice should you wish to use the **Easi-Heat Plus 18V** on a sealed/pressurised system.

This booklet is an integral part of the appliance. It is therefore necessary to ensure that the booklet is handed to the person responsible for the property in which the appliance is located/installed. A replacement copy can be obtained from Vokera customer services.

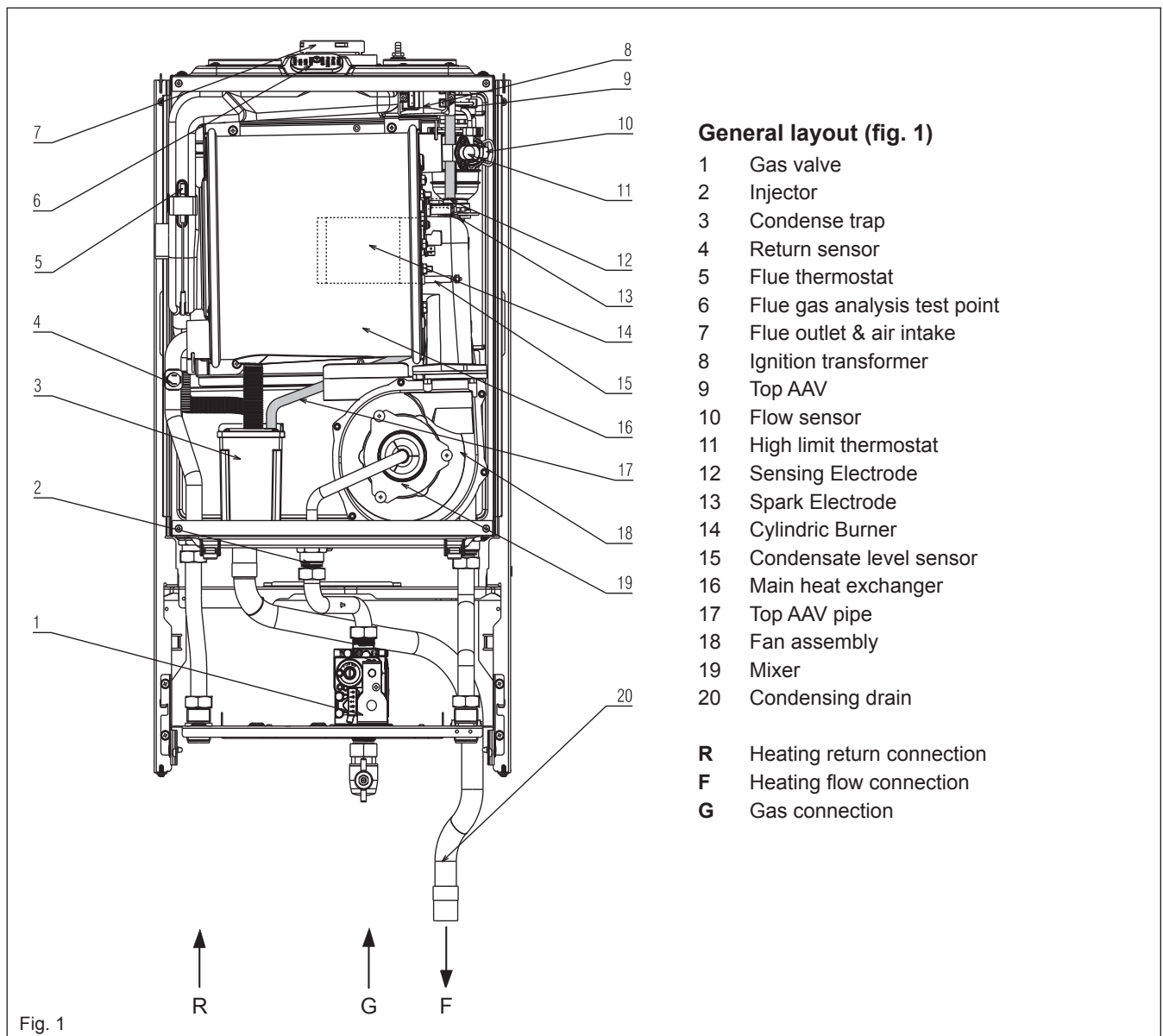
The **Easi-Heat Plus V** is approved for use with C13 & C33 type flue applications

When the product reaches the end of its life it should not be disposed of as solid urban waste but should be brought to a separated waste collection facility.

Easi-Heat Plus 18V boiler complies with basic requirements of the following Directives:

- Gas directive 2009/142/EC;
- Yield directive: Article 7(2) and Annex III of directive 92/42/EEC;
- Electromagnetic compatibility directive 2014/30/EU;
- Low-voltage directive 2014/35/EU;
- Directive 2009/125/EC Ecodesign for energy-using appliances;
- Directive 2010/30/EU Indication by labelling of the consumption of energy by energy-related products;
- Delegated Regulation (EU) No. 811/2013;
- Delegated Regulation (EU) No. 813/2013.

All installers are asked to follow the Benchmark Scheme by adhering to the Code of Practise, which can be obtained from www.centralheating.co.uk.



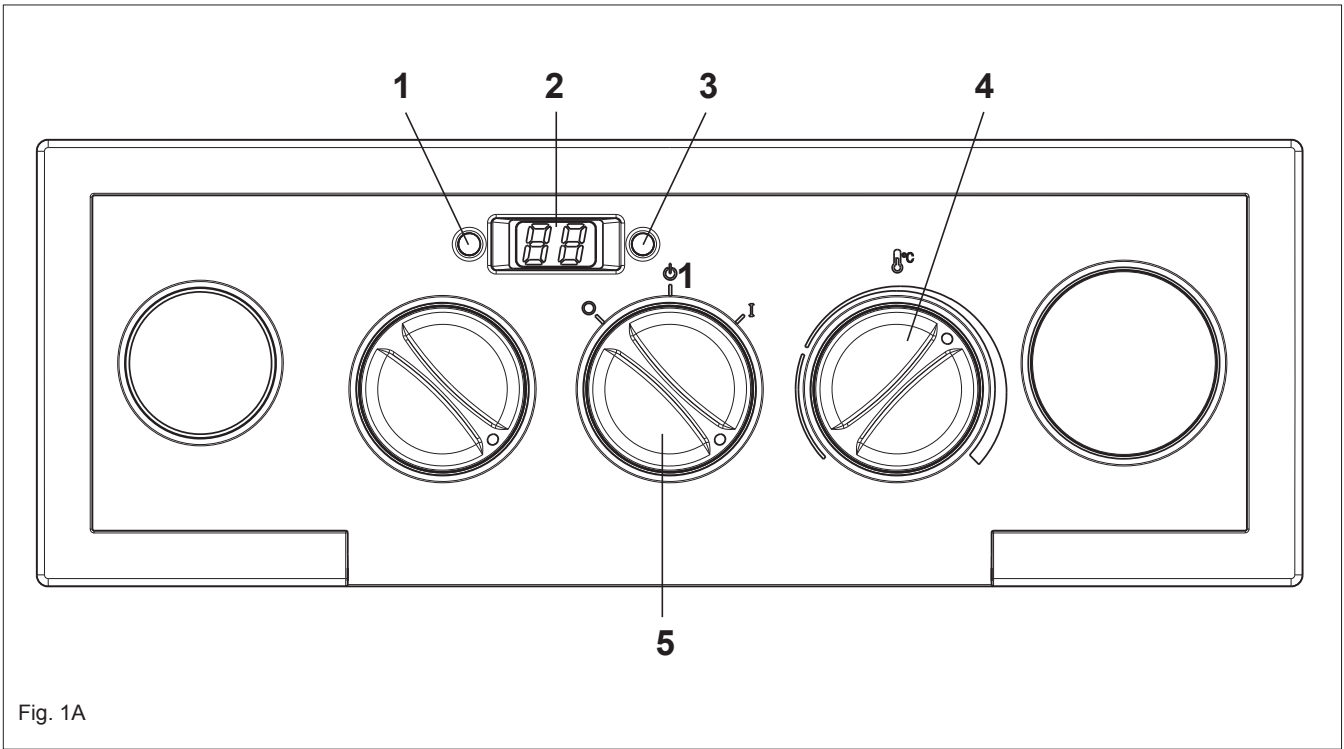




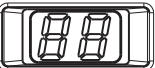



Fig. 1A

	Boiler at reset/standby	Select this position if/when the boiler requires to be reset
	Boiler switched OFF	Select this position if you want the boiler to remain OFF (this will over-ride any heating/hot water request from the time-clock/programmer)
	Boiler switched ON	Select this position when you want the boiler to respond to a heating/hot water request from the time-clock/programmer
	Temperature selector	Move the temperature selector clockwise to increase the boiler outlet temperature, or counter-clockwise to reduce the outlet flow temperature
	2-digit LED display	Displays the current outlet temperature of the boiler. During a fault condition, the appropriate fault code will be displayed (refer to the users handbook for instructions regarding fault codes)
	Green LED lit	Boiler is working/responding to a heating/hot water request
	Red LED lit	Boiler has identified a fault and has failed-safe. Refer to users handbook for instructions on how to reset

SECTION 1 DESIGN PRINCIPLES AND OPERATING SEQUENCE

1.1 PRINCIPLE COMPONENTS

- A fully integrated electronic control board featuring electronic temperature control, anti-cycle control, pump over-run, self-diagnostic fault indicator, full air/gas modulation
- Radial aluminium heat exchanger
- Electronic ignition with flame supervision
- Fan
- Condensate level sensor.

1.2 MODE OF OPERATION (at rest)

When the appliance is at rest and there are no requests for heating or hot water, the following functions are active:

- 2-stage frost-protection system – the frost-protection system protects the appliance against the risk of frost damage. The first stage enables activation of the pump should the temperature of the appliance fall to 6°C. Should the first stage become active, the appliance will function on minimum +25% power until it reaches 35°C.
- anti-block function – the anti-block function enables the pump to be energised for short periods, when the appliance has been inactive for more than 24-hours.

1.3 MODE OF OPERATION

When there is a request for heat and/or hot water, via the programmer/time clock and/or any external control, the pump and fan are started, the fan speed will modulate until the correct signal voltage is received at the control PCB. At this point an ignition sequence is enabled.

Ignition is sensed by the electronic circuitry to ensure flame stability at the burner. Once successful ignition has been achieved, the electronic circuit increases the gas rate to 75% for a period of 15 minutes. Thereafter, the boiler's output will either increase to maximum or modulate to suit the set requirement.

When the appliance reaches the desired temperature the burner will shut down and the boiler will perform a 5-minute anti-cycle (timer delay).

When the request for heat has been satisfied the pump and fan may continue to operate to dissipate any residual heat within the appliance.

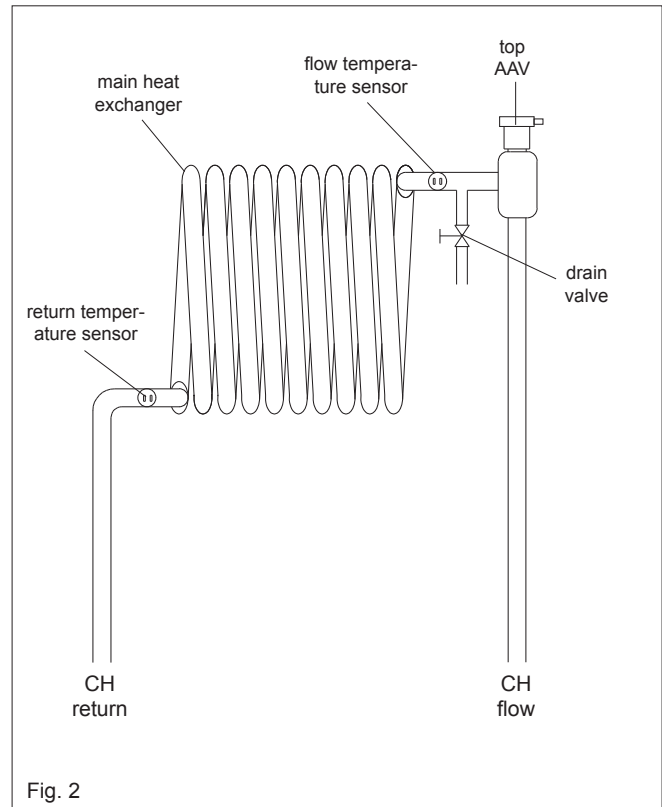
NOTE

- The pump must be connected directly to the designated terminals within the appliance controls panel.
- When power is restored to the PCB and/or the PCB is powered for the first time, the appliance will enter a 2-minute purge cycle whereby only the pump will run for 15-seconds then off for 15-seconds.

1.4 SAFETY DEVICES

When the appliance is in use, safe operation is ensured by:

- Fan speed sensor and pressure differential mechanism to ensure safe operation of the burner.
- A high limit thermostat that over-rides the temperature control circuit to prevent or interrupt the operation of the burner.
- Flame sensor that will shut down the burner when no flame signal is detected.
- A sensor that interrupts the operation of the appliance if the condensate pipe becomes blocked.



SECTION 2 TECHNICAL DATA

2.1 Central Heating	Easi Heat Plus 18V
Heat input (kW)	20.00
Maximum heat output (kW) 60/80°C	19.68
Minimum heat output (kW) 60/80°C	4.91
Maximum heat output (kW) 30/50°C	21.16
Minimum heat output (kW) 30/50°C	5.30
Minimum working pressure	0.1 bar
Maximum working pressure	3.0 bar
Minimum flow rate	850 l/h*
2.2 Gas Pressures	
Inlet pressure (G20)	20.0 mbar
Heating maximum gas rate (m ³ /hr)	2.12
Minimum gas rate (m ³ /hr)	0.53
Injector size (mm)	4.6
2.3 Dimensions	
Height	740mm
Width	400mm
Depth	358mm
Dry weight	29kg
2.4 Clearances	
Sides	12mm
Top	150mm from casing or 25mm above flue elbow (whichever is applicable)
Bottom	150mm
Front	600mm
2.5 Connections	
Flow & return	22mm
Gas	15mm
Condense	21mm
2.6 Electrical	
Power consumption (Watts)	75
Supply (V/Hz)	230/50
Internal fuse	3.15A T (for PCB) - 3.15A F (for connections block)
External fuse	3A
2.7 Flue details (concentric - 60/100)	
Maximum horizontal flue length (60/100mm)	7.8m
Maximum vertical flue length (60/100mm)	8.8m
2.7A Flue details (concentric - 80/125)	
Maximum horizontal flue length (80/125mm)	25m
2.7B Flue details (twin pipes)	
Maximum horizontal flue length (80mm/80mm)	40m/40m
Maximum vertical flue length (80mm/80mm)	40m/40m
2.8 Efficiency	
SEDBUK (%)	90.43 - Band "A"
2.9 Emissions	
CO ₂ @ maximum output (%)	9.0
CO ₂ @ minimum output (%)	9.0
CO/CO ₂ ratio @ maximum output	0.0016 to 1
CO/CO ₂ ratio @ minimum output	0.0004 to 1
CO @ maximum output (p.p.m.)	150
CO @ minimum output (p.p.m.)	40
NOx @ maximum output (p.p.m.)	45
NOx @ minimum output (p.p.m.)	30
NOx rating	class 5

Ref. Condition 15 °C, 1013,25 mbar, dry gas

NOTE: L.P.G. data refer to section 9



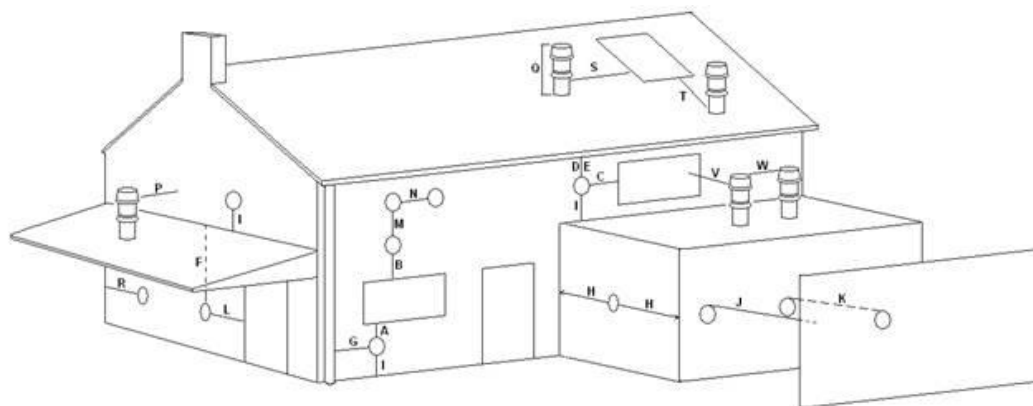
*The system should be so designed and balanced to ensure a minimum and maximum temperature differential of 10 °C and 20 °C respectively, when the appliance is operating at maximum output.

Seasonal space heating energy efficiency class		A		Water heating energy efficiency class		-	
Parameter	Symbol	Value	Unit	Parameter	Symbol	Value	Unit
Rated heat output	Prated	20	kW	Seasonal space heating energy efficiency	η_s	93	%
For boiler space heaters and boiler combination heaters: useful heat output				For boiler space heaters and boiler combination heaters: useful efficiency			
At rated heat output and high-temperature regime (*)	P4	19.7	kW	At rated heat output and high-temperature regime (*)	η_4	88.6	%
At 30% of rated heat output and low-temperature regime (**)	P1	6.6	kW	At 30% of rated heat output and low-temperature regime (**)	η_1	98.4	%
Auxiliary electricity consumption				Other parameters			
At full load	elmax	75.0	W	Stand-by heat loss	Pstby	70.0	W
At part load	elmin	25.3	W	Pilot flame energy consumption	Pign	-	W
In Stand-by mode	PSB	4.0	W	Annual energy consumption	QHE	61	GJ
				Sound power level, indoors	LWA	50	dB
				Emissions of nitrogen oxides	NOx	32	mg/kWh
For combination heaters:							
Declared load profile	-			Water heating energy efficiency	η_{wh}	-	%
Daily electricity consumption	Qelec	-	kWh	Daily fuel consumption	Qfuel	-	kWh
Annual electricity consumption	AEC	-	kWh	Annual fuel consumption	AFC	-	GJ

(*) High-temperature regime means 60 °C return temperature at heater inlet and 80 °C feed temperature at heater outlet.

(**) Low temperature means for condensing boilers 30 °C, for low-temperature boilers 37 °C and for other heaters 50 °C return temperature (at heater inlet).

Fig. 3



Key	Location	Minimum distance
A	Below an opening (window, air-brick, etc.)	300 mm
B	Above an opening (window, air-brick, etc.)	300 mm
C	To the side of an opening (window, air-brick, etc.)	300 mm
D	Below gutter, drain-pipe, etc.	25 mm
E	Below eaves	25 mm
F	Below balcony, car-port roof, etc.	25 mm
G	To the side of a soil/drain-pipe, etc.	25 mm (60mm for 80/125mm)
H	From internal/external corner	25 mm (60mm for 80/125mm)
I	Above ground, roof, or balcony level	300 mm
J	From a surface or boundary facing the terminal	600 mm*
K	From a terminal facing a terminal	1200 mm
L	From an opening in the car-port into the building	1200 mm
M	Vertically from a terminal on the same wall	1500 mm
N	Horizontally from a terminal on the same wall	300 mm
P	From a structure to the side of the vertical terminal	300 mm
Q	From the top of the vertical terminal to the roof flashing	As determined by the fixed collar of the vertical terminal
R	To the side of a boundary	300 mm
S	To the side of an opening or window on a pitched roof	600 mm
T	Below an opening or window on a pitched roof	2000 mm
V	From a vertical terminal to an adjacent opening (window, air-brick, etc.)	(call Vokera technical for advice)
W	From a vertical terminal to an adjacent vertical terminal	300 mm (only if both terminals are the same height)

*The possibility that this may be deemed as causing a nuisance, should be considered

SECTION 3 GENERAL REQUIREMENTS (UK)

BS 5440	PART 1	FLUES
BS 5440	PART 2	FLUES & VENTILATION
BS 5449	PART 1	FORCED CIRCULATION HOT WATER SYSTEMS
BS 6798		INSTALLATION OF BOILERS OF RATED INPUT NOT EXCEEDING 70kW
BS 6891		LOW PRESSURE INSTALLATION PIPES

This appliance must be installed by a competent person in accordance with the Gas Safety (Installation & Use) Regulations.

3.1 RELATED DOCUMENTS

The installation of this boiler must be in accordance with the relevant requirements of the Gas Safety (Installation & Use) Regulations, the local building regulations, the current I.E.E. wiring regulations, the bylaws of the local water undertaking, the Building Standards (Scotland) Regulation, and Building Standards (Northern Ireland) Regulations.

It should be in accordance also with any relevant requirements of the local authority and the relevant recommendations of the following British Standard Codes of Practice.

3.2 LOCATION OF APPLIANCE

The appliance may be installed in any room or internal space, although particular attention is drawn to the requirements of the current I.E.E. wiring regulations, and in Scotland, the electrical provisions of the Building Regulations, with respect to the installation of the appliance in a room or internal space containing a bath or shower.

When an appliance is installed in a room or internal space containing a bath or shower, the appliance or any control pertaining to it must not be within reach of a person using the bath or shower (refer to IEE regs).

The location chosen for the appliance must permit the provision of a safe and satisfactory flue and termination. The location must also permit an adequate air supply for combustion purposes and an adequate space for servicing and air circulation around the appliance. Where the installation of the appliance will be in an unusual location special procedures may be necessary, BS 6798 gives detailed guidance on this aspect.

A compartment used to enclose the appliance must be designed and constructed specifically for this purpose. An existing compartment/cupboard may be utilised provided that it is modified to suit.

Details of essential features of compartment/cupboard design including airing cupboard installations are given in BS 6798. This appliance is not suitable for external installation.

3.3 GAS SUPPLY

The gas meter – as supplied by the gas supplier – must be checked to ensure that it is of adequate size to deal with the maximum rated input of all the appliances that it serves. Installation pipes must be fitted in accordance with BS 6891. Pipe work from the meter to the appliance must be of adequate size. Pipes of a smaller size than the appliance gas inlet connection must not be used. The installation must be tested for soundness in accordance with BS6891.

If the gas supply serves more than one appliance, it must be ensured that an adequate supply is maintained to each appliance when they are in use at the same time.

NOTE

It is recognised that 'pressure loss' through the gas cock and gas valve may result in a pressure drop of approximately 2mbar between the gas meter and gas valve inlet test point; this will not impair the performance of the appliance, provided that a dynamic pressure of 18mbar is available at the appliance inlet.

3.4 FLUE SYSTEM

The terminal should be located where the dispersal of combustion products is not impeded and with due regard for the damage

and discoloration that may occur to building products located nearby. The terminal must not be located in a place where it is likely to cause a nuisance (see fig. 4).

In cold and/or humid weather, water vapour will condense on leaving the terminal; the effect of such plumbing must be considered.

If installed less than 2m above a pavement or platform to which people have access (including balconies or flat roofs) the terminal must be protected by a guard of durable material. The guard must be fitted centrally over the terminal. Refer to BS 5440 Part 1, when the terminal is 0.5 metres (or less) below plastic guttering or 1 metre (or less) below painted eaves.

3.5 AIR SUPPLY

The following notes are intended for general guidance only.

This appliance is a room-sealed, fan-flued boiler, consequently it does not require a permanent air vent for combustion air supply. When installed in a cupboard or compartment, ventilation for cooling purposes is also not required.

3.6 WATER CIRCULATION

Detailed recommendations are given in BS 5449 Part 1 and BS 6798. The following notes are for general guidance only.

3.6.1 PIPEWORK

It is recommended that copper tubing to BS 2871 Part 1 is used in conjunction with soldered capillary joints.

Where possible pipes should have a gradient to ensure air is carried naturally to air release points and that water flows naturally to drain cocks.

Except where providing useful heat, pipes should be insulated to avoid heat loss and in particular to avoid the possibility of freezing. Particular attention should be paid to pipes passing through ventilated areas such as under floors, loft space, and void areas.

3.6.2 AUTOMATIC BY-PASS

Vokera recommend that an automatic bypass is installed to ensure the required minimum flow-rate is achieved at all times. Additionally, the design of the system and its controls should ensure that an adequate temperature differential is met, and should be such that it prevents boiler 'cycling'.

3.6.3 DRAIN COCKS

These must be located in accessible positions to facilitate draining of the appliance and all water pipes connected to the appliance. The drain cocks must be manufactured in accordance with BS 2879.

3.6.4 AIR RELEASE POINTS

These must be positioned at the highest points in the system where air is likely to be trapped. They should be used to expel trapped air and allow complete filling of the system.

3.7 ELECTRICAL SUPPLY

The appliance is supplied for operation on 230V @ 50Hz electrical supply; it must be protected with a 3-amp fuse. The method of connection to the mains electricity supply must allow for complete isolation from the supply. The preferred method is by using a double-pole switch with a contact separation of at least 3,5mm (3° high-voltage category). The switch must only supply the appliance and its corresponding controls, i.e. time clock, room thermostat, etc.

Alternatively an un-switched shuttered socket with a fused 3-pin plug both complying with BS 1363 is acceptable.

3.8 MOUNTING ON A COMBUSTIBLE SURFACE

The appliance can be mounted directly to a combustible wall or surface.

3.9 TIMBER FRAMED BUILDINGS

If the appliance is to be fitted in a timber framed building, it should be fitted in accordance with the Institute of Gas Engineers publication (IGE/UP/7) 'Guide for Gas Installations in Timber Frame Buildings'.

3.10 WATER TREATMENT

Vokera recommend that water treatment be carried out in accordance with the Benchmark Guidance on water treatment in central heating systems. If water treatment products are to be used, then they must be entirely suitable for use with an aluminium heat exchanger. Any water treatment product, must be administered in strict accordance with the manufacturer's instructions.

If the appliance is to be installed to an existing system; water treatment and flushing of the complete heating system should be carried out in accordance with BS 7593 and the Benchmark Guidance on water treatment in central heating systems.

3.11 APPLIANCE PIPEWORK CONFIGURATION (fig.4)

The appliance 'flow' and 'return' connections can be configured to suit the following:

1. Top outlet connection
2. Bottom outlet connection
3. Top (flow), bottom (return) connection
4. Top (return) bottom (flow) connection.

NOTE

When routing pipework via the top of the appliance, ensuring that the pipework does not interfere with or obstruct the flue outlet of the appliance.

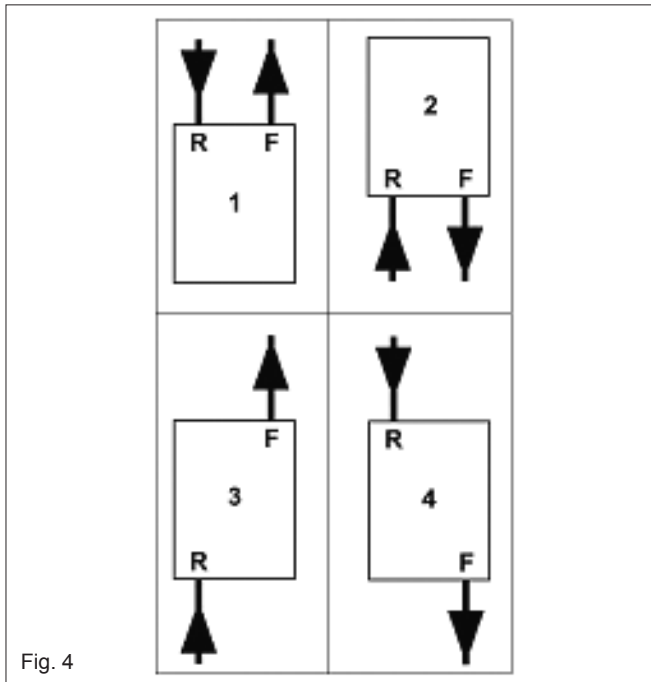


Fig. 4

3.11.1 FEED & VENT PIPEWORK

The feed and vent pipe work from the boiler to the F&E (Feed & Expansion) tank should be configured as shown in fig. 4A using a 22 mm combined feed and vent pipe.

NOTE

- The combined feed and vent pipe must rise continuously and be unrestricted.
- The diameter of the combined feed and vent pipe shall be 22mm.
- The minimum distance from the top of the boiler to the bottom of the F&E tank shall be no less than 1-metre, whilst the maximum distance shall be no greater than 30-metres.

The supply of water to the F&E tank should be taken from the mains water supply via a suitable float operated valve, whilst the supply from the F&E tank to the boiler/heating circuit (via the combined feed and vent pipe) shall be unrestricted.

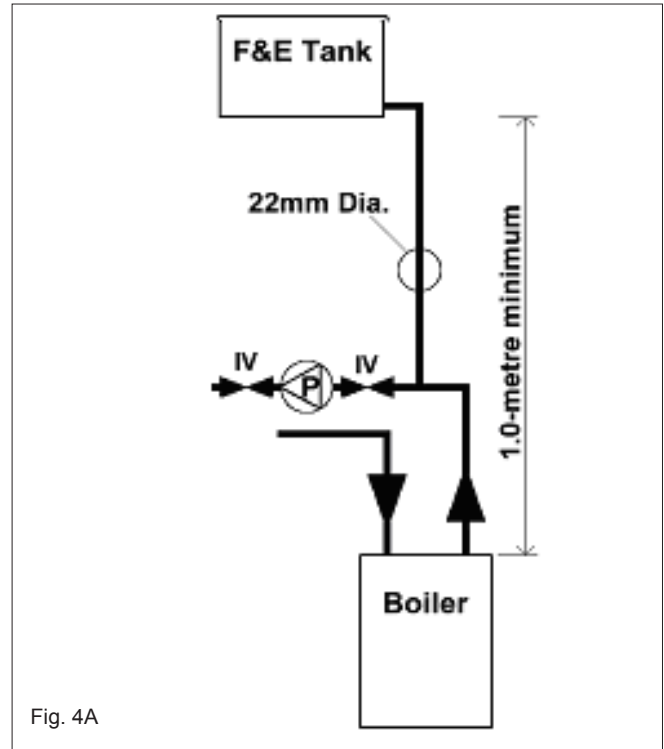


Fig. 4A

3.11.2 ALTERNATIVE CLOSE-COUPLED ARRANGEMENT

If necessary or if preferred, a close-coupled arrangement for the feed and expansion pipe work can be used as an alternative to a combined feed and vent pipe. The configuration of the close-coupled pipe work shall be as shown in figure 4B.

NOTE

- The distance between the cold feed pipe and the safety vent pipe shall be no more than 150mm.
- The cold feed pipe must be inverted as shown in figure 4B.
- The safety vent pipe must be 22mm in diameter.
- The cold feed pipe must be 15mm diameter.
- The cold feed pipe and safety vent pipe must both rise continuously and be unrestricted.
- The minimum distance from the top of the boiler to the bottom of the F&E tank shall be no less than 1-metre, whilst the maximum distance shall be no greater than 30-metres.
- The distance between the bottom of the F&E tank and the highest point of the safety vent pipe must be no less than 500mm.

The supply of water to the F&E tank should be taken from the mains water supply via a suitable float operated valve, whilst the supply from the F&E tank to the boiler/heating circuit (via the cold feed pipe) shall be unrestricted.

3.11.3 REMOTE CONNECTION

It's permissible to connect the feed and vent pipe work remote from the boiler, providing it's connected to the primary heating pipe work as shown in figures 4C/4D.

NOTE

The instructions for a combined feed and vent installation (3.11.1) or close-coupled arrangement (3.11.2) still apply when connecting the feed and vent pipe work remote from the appliance.

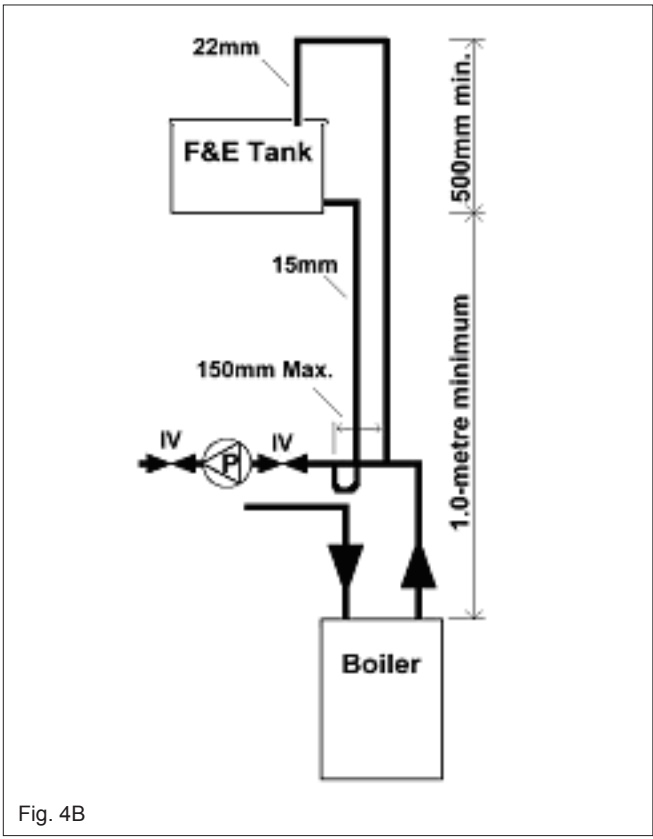


Fig. 4B

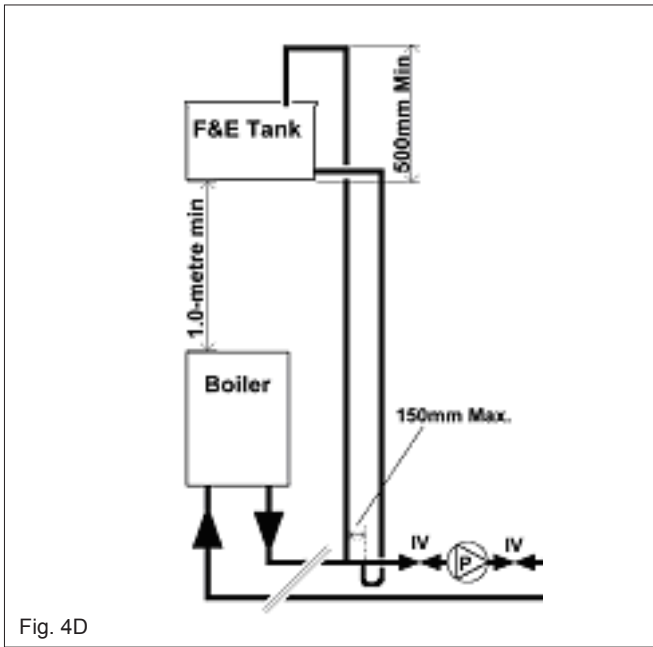


Fig. 4D

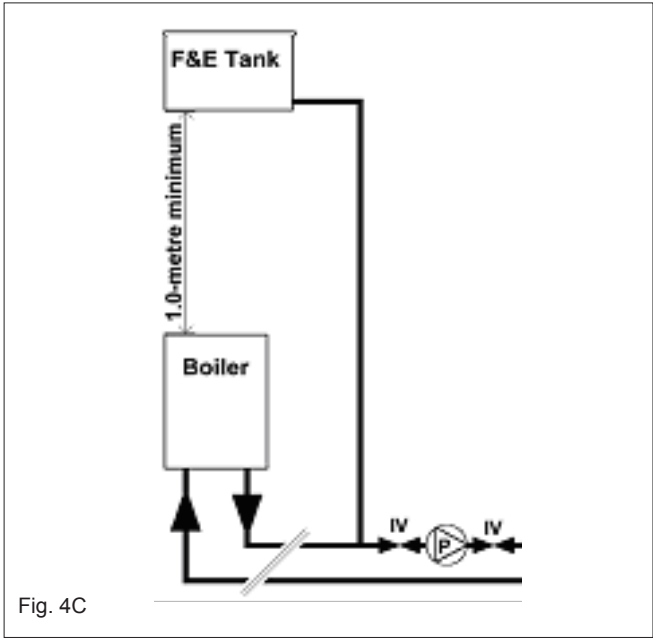


Fig. 4C

SECTION 3 GENERAL REQUIREMENTS (EIRE)

3A.1 RELATED DOCUMENTS

The installation of this boiler must be in accordance with the relevant requirements of the local building regulations, the current ETCI National Rules for Electrical Installations and the bylaws of the local water undertaking. It should be in accordance also with any relevant requirements of the local and/or district authority.

3A.2 LOCATION OF APPLIANCE

The appliance may be installed in any room or internal space, although particular attention is drawn to the requirements of the current ETCI National Rules for Electrical Installations, and I.S. 813, Annex K.

When an appliance is installed in a room or internal space containing a bath or shower, the appliance or any control pertaining to it must not be within reach of a person using the bath or shower.

The location chosen for the appliance must permit the provision of a safe and satisfactory flue and termination. The location must also permit an adequate air supply for combustion purposes and an adequate space for servicing and air circulation around the appliance. Where the installation of the appliance will be in an unusual location special procedures may be necessary, refer to I.S. 813 for detailed guidance on this aspect.

A compartment used to enclose the appliance must be designed and constructed specifically for this purpose. An existing compartment/cupboard may be utilised provided that it is modified to suit.

This appliance is not suitable for external installation.

3A.3 GAS SUPPLY

The gas meter – as supplied by the gas supplier – must be checked to ensure that it is of adequate size to deal with the maximum rated input of all the appliances that it serves. Installation pipes must be fitted in accordance with I.S. 813. Pipe work from the meter to the appliance must be of adequate size. Pipes of a smaller size than the appliance gas inlet connection must not be used. The installation must be tested for soundness in accordance with I.S. 813.

If the gas supply serves more than one appliance, it must be ensured that an adequate supply is maintained to each appliance when they are in use at the same time.

NOTE

It is recognised that 'pressure loss' through the gas cock and gas valve may result in a pressure drop of approximately 2mbar between the gas meter and gas valve inlet test point; this will not impair the performance of the appliance, provided that a dynamic pressure of 18mbar is available at the appliance inlet.

3A.4 FLUE SYSTEM

The terminal should be located where the dispersal of combustion products is not impeded and with due regard for the damage and discoloration that may occur to building products located nearby. The terminal must not be located in a place where it is likely to cause a nuisance (see I.S. 813).

In cold and/or humid weather, water vapour will condense on leaving the terminal; the effect of such plumbing must be considered.

If installed less than 2m above a pavement or platform to which people have access (including balconies or flat roofs) the terminal must be protected by a guard of durable material. The guard must be fitted centrally over the terminal. Refer to I.S. 813, when the terminal is 0.5 metres (or less) below plastic guttering or 1 metre (or less) below painted eaves.

3A.5 AIR SUPPLY

The following notes are intended for general guidance only. This appliance is a room-sealed, fan-flued boiler, consequently it does not require a permanent air vent for combustion air supply. When installed in a cupboard or compartment, ventilation for cooling purposes is also not required.

3A.6 WATER CIRCULATION

Specific recommendations are given in I.S. 813. The following notes are for general guidance only.

3A.6.1 PIPEWORK

It is recommended that copper tubing be used in conjunction with soldered capillary joints.

Where possible pipes should have a gradient to ensure air is carried naturally to air release points and that water flows naturally to drain cocks.

Except where providing useful heat, pipes should be insulated to avoid heat loss and in particular to avoid the possibility of freezing. Particular attention should be paid to pipes passing through ventilated areas such as under floors, loft space, and void areas.

3A.6.2 AUTOMATIC BY-PASS

Vokera recommend that an automatic bypass is installed to ensure the required minimum flow-rate is achieved at all times. Additionally, the design of the system and its controls should ensure that an adequate temperature differential is met, and should be such that it prevents boiler 'cycling'.

3A.6.3 DRAIN COCKS

These must be located in accessible positions to facilitate draining of the appliance and all water pipes connected to the appliance.

3A.6.4 AIR RELEASE POINTS

These must be positioned at the highest points in the system where air is likely to be trapped. They should be used to expel trapped air and allow complete filling of the system.

3A.7 ELECTRICAL SUPPLY

The appliance is supplied for operation on 230V @ 50Hz electrical supply; it must be protected with a 3-amp fuse. The method of connection to the mains electricity supply must allow for complete isolation from the supply. The preferred method is by using a double-pole switch with a contact separation of at least 3mm. The switch must only supply the appliance and its corresponding controls, i.e. time clock, room thermostat, etc.

3A.8 MOUNTING ON A COMBUSTIBLE SURFACE

The appliance can be mounted directly to a combustible wall or surface.

3A.9 TIMBER FRAMED BUILDINGS

If the appliance is to be fitted in a timber framed building, it should be fitted in accordance with I.S. 813 and local Building Regulations.

The Institute of Gas Engineers publication (IGE/UP/7) 'Guide for Gas Installations in Timber Frame Buildings' gives specific advice on this type of installation.

3A.10 WATER TREATMENT

Vokera recommend that water treatment be carried out in accordance with the Benchmark Guidance on water treatment in central heating systems. If water treatment products are to be used, then they must be entirely suitable for use with an aluminium heat exchanger. Any water treatment product, must be administered in strict accordance with the manufacturer's instructions.

If the appliance is to be installed to an existing system; water treatment and flushing of the complete heating system should be carried out in accordance with BS 7593 and the Benchmark Guidance on water treatment in central heating systems.

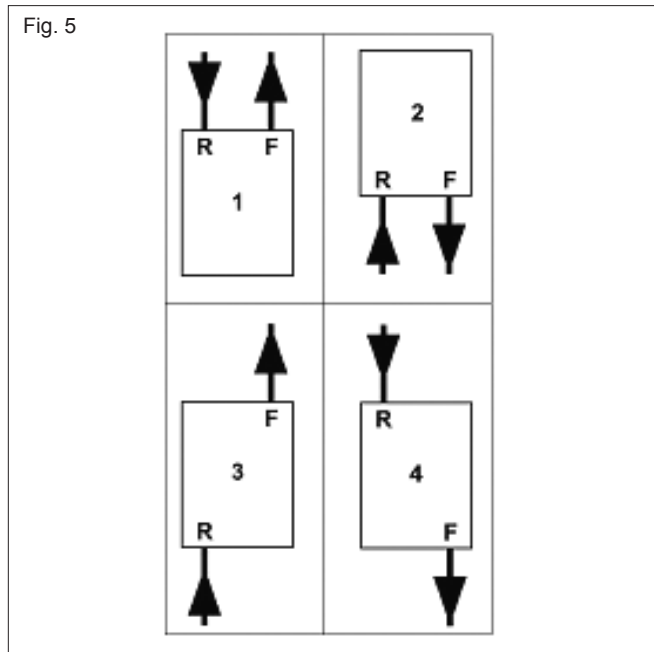
3A.11 APPLIANCE PIPEWORK CONFIGURATION (fig. 5)

The appliance 'flow' and 'return' connections can be configured to suit the following:

1. Top outlet connection
2. Bottom outlet connection
3. Top (flow), bottom (return) connection
4. Top (return) bottom (flow) connection.

NOTE

When routing pipework via the top of the appliance, ensuring that the pipework does not interfere with or obstruct the flue outlet of the appliance.



3A.11.1 FEED AND VENT PIPEWORK

The feed and vent pipe work from the boiler to the F&E (Feed & Expansion) tank should be configured as shown in figure 4A using a 22mm combined feed and vent pipe.

NOTE

- The combined feed and vent pipe must rise continuously and be unrestricted.
- The diameter of the combined feed and vent pipe shall be 22mm.
- The minimum distance from the top of the boiler to the bottom of the F&E tank shall be no less than 1-metre, whilst the maximum distance shall be no greater than 30-metres.

The supply of water to the F&E tank should be taken from the mains water supply via a suitable float operated valve, whilst the supply from the F&E tank to the boiler/heating circuit (via the combined feed and vent pipe) shall be unrestricted.

3A.11.2 ALTERNATIVE CLOSE-COUPLED ARRANGEMENT

If necessary or if preferred, a close-coupled arrangement for the feed and expansion pipe work can be used as an alternative to a combined feed and vent pipe. The configuration of the close-coupled pipe work shall be as shown in figure 4B.

NOTE

- The distance between the cold feed pipe and the safety vent pipe shall be no more than 150mm
- The cold feed pipe must be inverted as shown in fig. 4B
- The safety vent pipe must be 22mm in diameter
- The cold feed pipe must be 15mm diameter
- The cold feed pipe and safety vent pipe must both rise continuously and be unrestricted.
- The minimum distance from the top of the boiler to the bottom of the F&E tank shall be no less than 1-metre, whilst the maximum distance shall be no greater than 30-metres.

- The distance between the bottom of the F&E tank and the highest point of the safety vent pipe must be no less than 500mm.

The supply of water to the F&E tank should be taken from the mains water supply via a suitable float operated valve, whilst the supply from the F&E tank to the boiler/heating circuit (via the cold feed pipe) shall be unrestricted.

3A.11.3 REMOTE CONNECTION

It's permissible to connect the feed and vent pipe work remote from the appliance, providing it's connected to the primary heating pipe work as shown in figures 4C/4D.

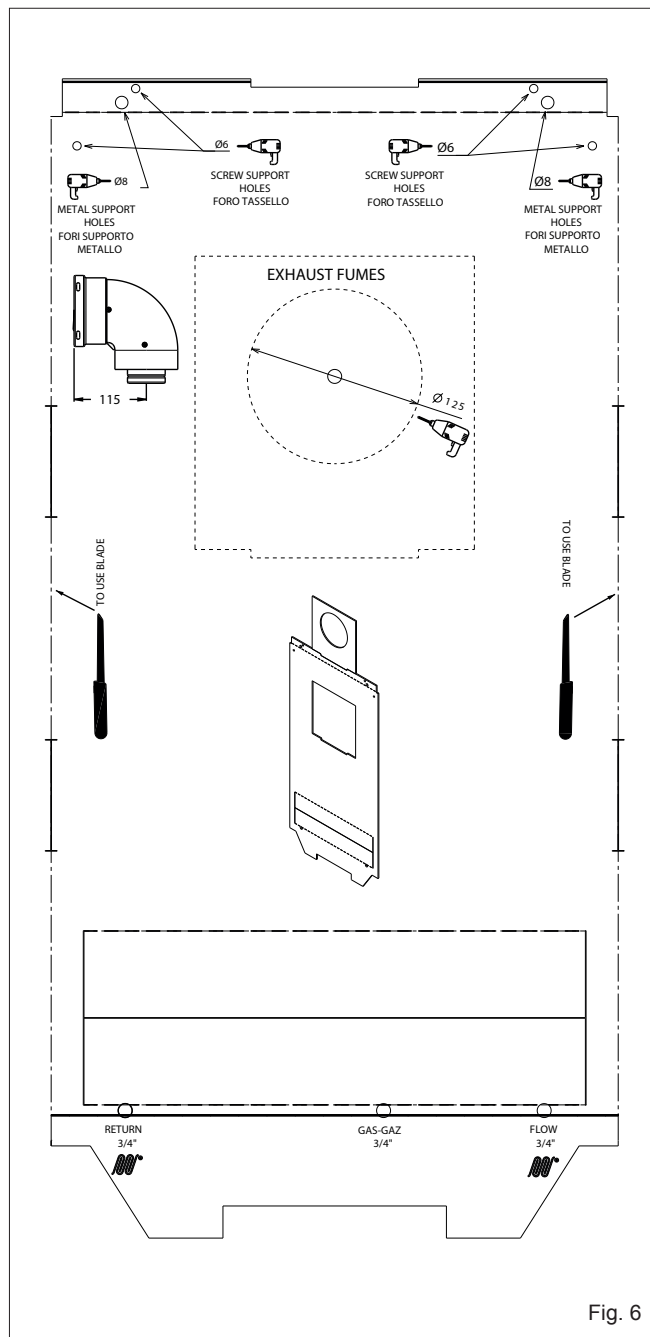
NOTE

The instructions for a combined feed and vent installation (3A.11.1) or close-coupled arrangement (3A.11.2) still apply when connecting the feed and vent pipe work remote from the appliance.

3A.12 DECLARATION OF CONFORMITY

A Declaration of Conformity (as defined in I.S. 813) must be provided on completion of the installation

A copy of the declaration must be given to the responsible person and also to the gas supplier if required.



SECTION 4 INSTALLATION

4.1 DELIVERY

Due to the weight of the appliance it may be necessary for two people to lift and attach the appliance to its mounting. The appliance is contained within a heavy-duty cardboard carton. Lay the carton on the floor with the writing the correct way up.

4.2 CONTENTS

Contained within the carton is:

- The boiler
- The wall bracket
- Template
- An accessories pack containing appliance service connections and washers
- The instruction pack containing the installation & servicing instructions, user instructions, guarantee registration card, and a 3-amp fuse.

4.3 UNPACKING

At the top of the carton pull both sides open – do not use a knife – unfold the rest of the carton from around the appliance, carefully remove all protective packaging from the appliance, and lay the accessories etc. to one side. Protective gloves should be used to lift the appliance, the appliance back-frame should be used for lifting points.

4.4 PREPARATION FOR MOUNTING THE APPLIANCE

The appliance should be mounted on a smooth, vertical surface, which must be capable of supporting the full weight of the appliance. Care should be exercised when determining the position of the appliance with respect to hidden obstructions such as pipes, cables, etc.

When the position of the appliance has been decided – using the template supplied – carefully mark the position of the wall-mounting bracket (see fig. 6) and flue-hole (if applicable).

4.5 FITTING THE FLUE

The top flue outlet permits both horizontal and vertical flue applications to be considered, alternatively, the Vokera twin flue system can be utilised if longer flue runs are required.

4.5.1 CONCENTRIC HORIZONTAL FLUE

(For concentric vertical flue, see 4.5.2).

(For twin flue applications, see 4.5.3).

The appliance can be used with either the Vokera condensing 60/100mm concentric flue system or the optional 80/125mm concentric flue system.

NOTE

These instructions relate **only** to the Vokera condensing 60/100mm concentric flue system. For specific details on the installation of the 80/125mm concentric flue system please refer to the instructions supplied.

The appliance flue outlet elbow can be rotated through 360° on its vertical axis. In addition the flue may be extended from the outlet elbow in the horizontal plane (see 2.7). A reduction must also be made to the maximum length (see table below) when additional bends are used.

Reduction for additional bends

Bend	Reduction in maximum flue length for each bend
45° bend	1.0 metre
45° bend	1.0 metre

Flue terminals and accessories

Description	Code
Telescopic terminal kit	29450120
Telescopic terminal kit	29450121
Vertical terminal kit	29450122
90-degree bend	29450123
45-degree bends (2-OFF)	29450124
0.5-metre extension	29450125
1.0-metre extension	29450126
2.0-metre extension	29450127
Telescopic extension	29450128
Wall brackets (5-pack)	529
Pitched roof flashing	531
Flat roof flashing	532

Using the template provided, mark and drill a 115mm hole for the passage of the flue pipe. The horizontal terminal, incorporates an incline on the inner (60mm) pipe; this enables the terminal to be installed on a level plane. However any extended horizontal flue runs must incorporate a 3-degree fall-back from the flue terminal towards the appliance (see Fig. 7A).

The fixing holes for the wall-mounting bracket should now be drilled and plugged, an appropriate type and quantity of fixing should be used to ensure that the bracket is mounted securely. Once the bracket has been secured to the wall, mount the appliance onto the bracket.

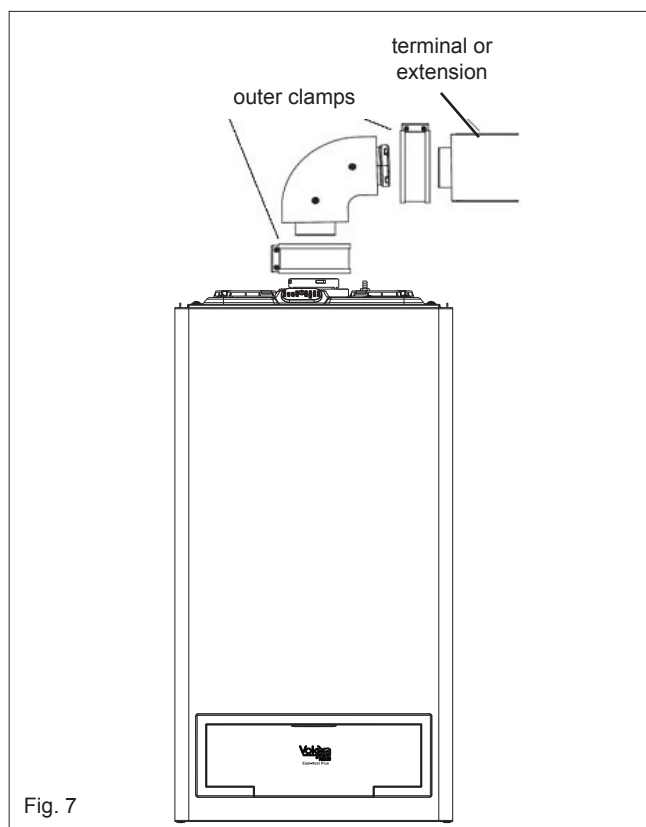


Fig. 7

FITTING THE HORIZONTAL FLUE KIT

Carefully measure the distance from the centre of the appliance flue outlet to the edge of the finished outside wall (dimension X). Add 65mm to dimension X to give you dimension Y (see fig 7A). Measure dimension Y from the terminal end of the concentric flue pipe and cut off the excess ensuring any burrs are removed. Pass the concentric flue pipe through the previously drilled hole. Fit the flue bend to the boiler flue outlet and insert the concentric

flue pipe into the flue bend ensuring the correct seal is made. Using the clamp, gasket and screws supplied, secure the flue bend to the appliance flue spigot.

NOTE

Fit the internal (white) trim to the flue assembly prior to connecting the flue pipe to the bend. You must ensure that the entire flue system is properly supported and connected.

Seal the flue assembly to the wall using cement or a suitable alternative that will provide satisfactory weatherproofing. The exterior trim can now be fitted.

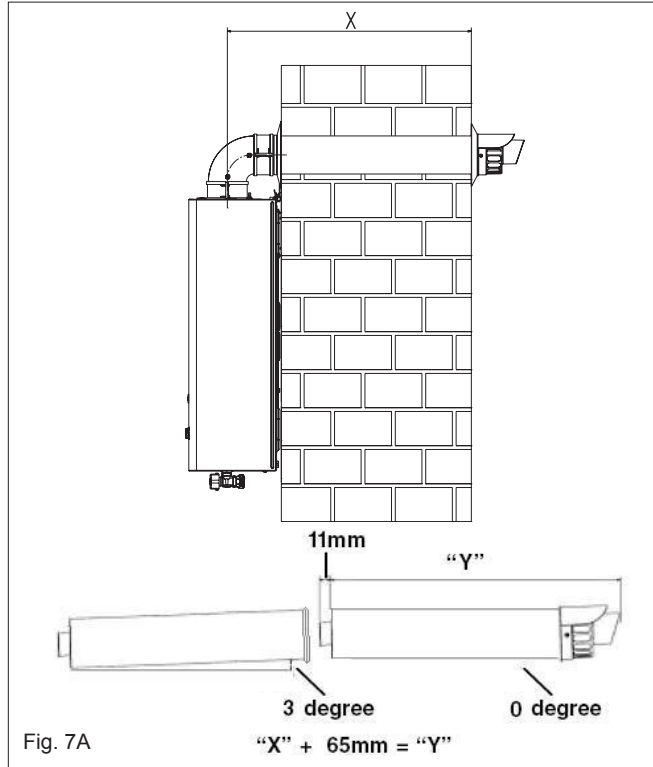


Fig. 7A

4.5.1.1 EXTENDING THE FLUE

Connect the bend – supplied with the terminal kit – to the top of the boiler using clamp (supplied) see fig. 7. The additional bends & extensions have push-fit connections, care should be taken to ensure that the correct seal is made when assembling the flue system. Connect the required number of flue extensions or bends (up to the maximum equivalent flue length) to the flue terminal (see fig. 7 & 8).

The flue system should have a 3° rise from the boiler to outside, to ensure any condense fluid that forms, is allowed to drain back to the appliance.

NOTE

When cutting an extension to the required length, you must ensure that the excess is cut from the plain end of the extension (see fig. 7 & 8). Remove any burrs, and check that all seals are located properly.

You must ensure that the entire flue system is properly supported and connected.

Seal the flue assembly to the wall using cement or a suitable alternative that will provide satisfactory weatherproofing. The interior and exterior trim can now be fitted.

4.5.2 CONCENTRIC VERTICAL FLUE

The appliance can be used with either the Vokera condensing 60/100mm concentric flue system or the optional 80/125mm concentric flue system.

NOTE

These instructions relate **only** to the Vokera condensing 60/100mm concentric flue system. For specific details on the installation of the 80/125mm concentric flue system please refer to the instructions supplied.

The vertical flue terminal can be connected directly to the appliance flue outlet. Alternatively, an extension or bend can be connected to the appliance flue outlet if desired, however if additional bends are fitted, a reduction must be made to the maximum flue length (see table below).

Reduction for bends

Bend	Reduction in maximum flue length for each bend
45° bend	1.0 metre
45° bend	1.0 metre

Flue terminals and accessories

Description	Code
Telescopic terminal kit	29450120
Telescopic terminal kit	29450121
Vertical terminal kit	29450122
90-degree bend	29450123
45-degree bends (2-OFF)	29450124
0.5-metre extension	29450125
1.0-metre extension	29450126
2.0-metre extension	29450127
Telescopic extension	29450128
Wall brackets (5-pack)	529
Pitched roof flashing	531
Flat roof flashing	532

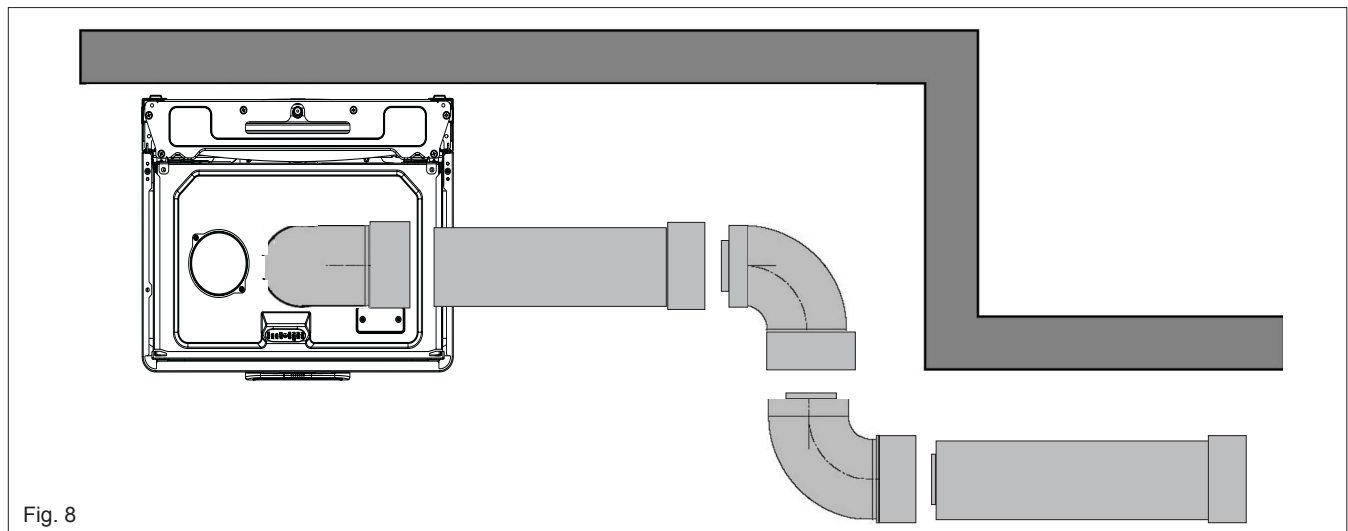
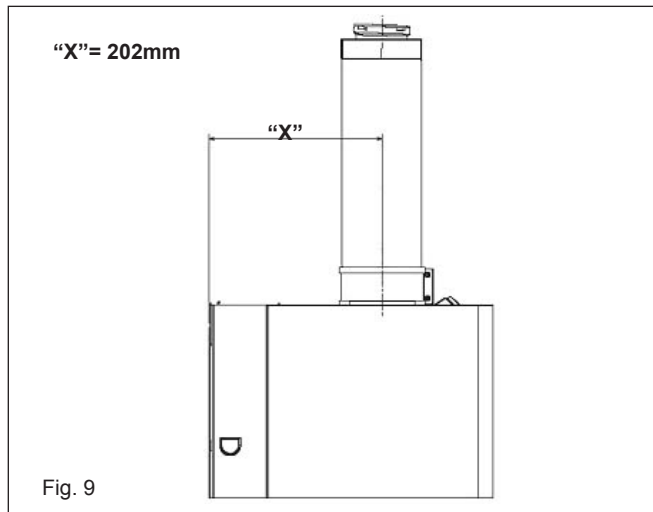


Fig. 8

Using the dimensions given in fig. 9 as a reference, mark and cut a 115mm hole in the ceiling and/or roof.



Fit the appropriate flashing plate to the roof and insert the vertical flue terminal through the flashing plate from the outside, ensuring that the collar on the flue terminal fits over the flashing. The fixing holes for the wall-mounting bracket should now be drilled and plugged, an appropriate type and quantity of fixing should be used to ensure that the bracket is mounted securely. Once the bracket has been secured to the wall, mount the appliance onto the bracket.

IMPORTANT

The vertical flue terminal is 1.0 metre in length and cannot be cut; therefore it may be necessary to adjust the height of the appliance to suit or use a suitable extension.

Connect the vertical flue assembly to the boiler flue spigot using the 100mm clip, gasket & screws (supplied), ensuring the correct seal is made. The flue support bracket (supplied with the vertical flue kit) can now be fitted.

If the vertical flue requires extension/s or additional bend/s, connect the required number of flue extensions or bends (up to the maximum equivalent flue length) between the boiler and vertical flue assembly (see fig. 8). Ensure that any horizontal sections of the flue system have a 3° fall back to the boiler (1° = 17mm per 1000mm).

NOTE

When cutting an extension to the required length, you must ensure that the excess is cut from the plain end of the extension (see fig. 8). Remove any burrs, and check that any seals are located properly. You must ensure that the entire flue system is properly supported and connected.

4.5.3 TWIN FLUE SYSTEM

The Vokera twin flue system enables greater flue distances to be achieved (see 4.4.2) than that of a concentric flue system. It can be used for horizontal or vertical applications, however the twin flue system must be converted to the dedicated concentric flue kit for termination. It is essential that the installation of the twin flue system be carried out in strict accordance with these instructions.

GUIDANCE NOTES ON TWIN FLUE INSTALLATION

- The flue must have a 3° (1° = 17mm per 1000mm) fall back to the appliance to allow any condensate that may form in the flue system to drain via the condensate drain. Consideration must also be given to the fact that there is the possibility of a small amount of condensate dripping from the terminal.
- Ensure that the entire flue system is adequately supported, use at least one bracket for each extension.
- The entire flue system must be adequately insulated to maintain heat within the flue system thereby reducing the possibility of condensate production.
- As the exhaust outlet pipe can reach very high temperatures it must be protected to prevent persons touching the hot surface.
- The condensate drain pipe must be connected in accordance with building regulations.

Reduction for bends

Bend	Reduction in maximum flue length for each bend
45° bend	1.0 metre
45° bend	1.0 metre

Twin flue accessories

Part No.	Description	Length
0225805	Horizontal flue terminal	1.0 metre
0225810	Vertical flue terminal	1.0 metre
430	Twin adapter kit	N/A
531	Pitched roof flashing plate	N/A
532	Flat roof flashing plate	N/A
0225815	Condensate drain kit	N/A
0225820	0.25m extension (pair)	250mm
0225825	0.5m extension (pair)	500mm
0225830	1.0m extension (pair)	1000mm
0225835	2.0m extension (pair)	2000mm
0225840	45° bend (pair)	N/A
0225845	90° bend (pair)	N/A
0225850	Twin bracket (5)	N/A
0225855	Single bracket (5)	N/A

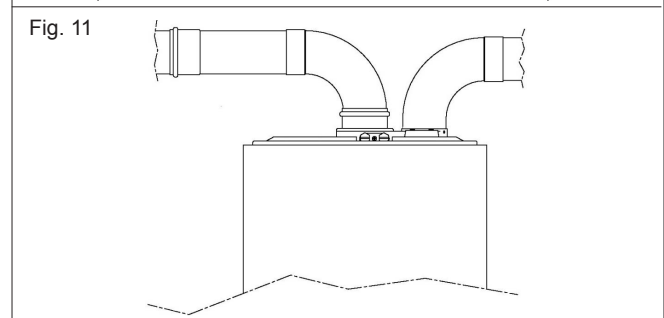
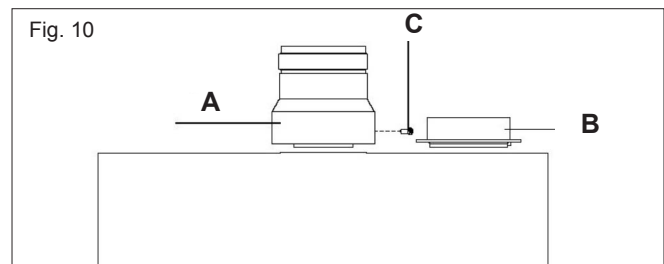
MOUNTING THE BOILER

The fixing holes for the wall-mounting bracket should now be drilled and plugged, an appropriate type and quantity of fixing should be used to ensure that the bracket is mounted securely. Once the bracket has been secured to the wall, mount the appliance onto the bracket.

4.5.3.1 INSTALLATION OF TWIN ADAPTOR KIT (fig. 10 & 11)

- Insert the exhaust connection manifold (A) onto the appliance flue outlet.
- Remove the blanking plate (located to the right of the appliance flue outlet) and – using the same screws – install the air inlet plate (B).
- Using the hole in the exhaust connection manifold as a guide, drill a 3mm hole in the appliance flue spigot and secure the exhaust manifold connection to the flue spigot using the screw provided (C).
- Using the two holes in the air inlet plate as a guide, drill a 3mm hole in each and secure the air inlet pipe/bend using the screws provided.

The twin flue pipes extensions and accessories can now be installed by pushing together (the plain end of each extension or bend should be pushed approximately 50mm into the female socket of the previous piece).



4.5.3.2 HORIZONTAL TERMINATION (fig. 12)

The twin flue system must be converted to the dedicated concentric flue kit for termination.

- The horizontal terminal is supplied with a built-in converter box and cannot be shortened.
- A 130mm hole is required for the passage of the concentric terminal through the wall.
- The air inlet pipe must always be level with or below, that of the exhaust pipe.

Depending on site conditions it may be preferable to install the terminal assembly prior to fitting the twin flue pipes.

Mark and drill a level 130mm hole for the passage of the horizontal flue terminal. Insert the terminal assembly into the flue hole.

Push-fit the twin flue pipes onto the concentric to twin converter box ensuring that the exhaust pipe connects to the exhaust connection on the concentric to twin converter.

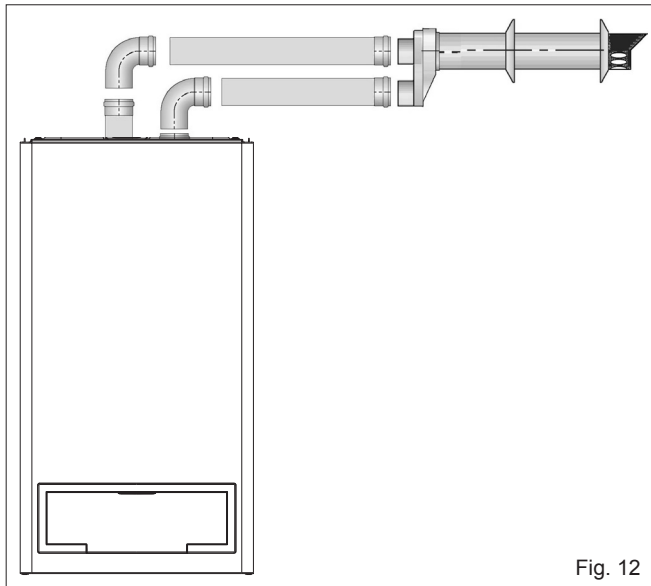
If necessary cut the plain ends (male) of the twin flue pipes to allow connection to the concentric to twin converter.

NOTE

before cutting twin flue pipes ensure allowances have been made for connection onto the previous piece and onto the concentric to twin converter. The last twin Flue pipes must be pushed 50mm onto the male spigots of the concentric to twin converter.

NOTE

Seal the flue terminal assembly to the wall using cement or a suitable alternative that will provide satisfactory weatherproofing. The interior and exterior trim can now be fitted.



4.5.3.3 VERTICAL TERMINATION (fig. 13)

The twin flue system must be converted to the dedicated concentric flue kit for termination.

- The vertical terminal is supplied with a built-in converter box and cannot be shortened.
- A 130mm hole is required for the passage of the concentric terminal through the ceiling and/or roof.

Depending on site conditions it may be preferable to install the terminal assembly prior to fitting the twin flue pipes.

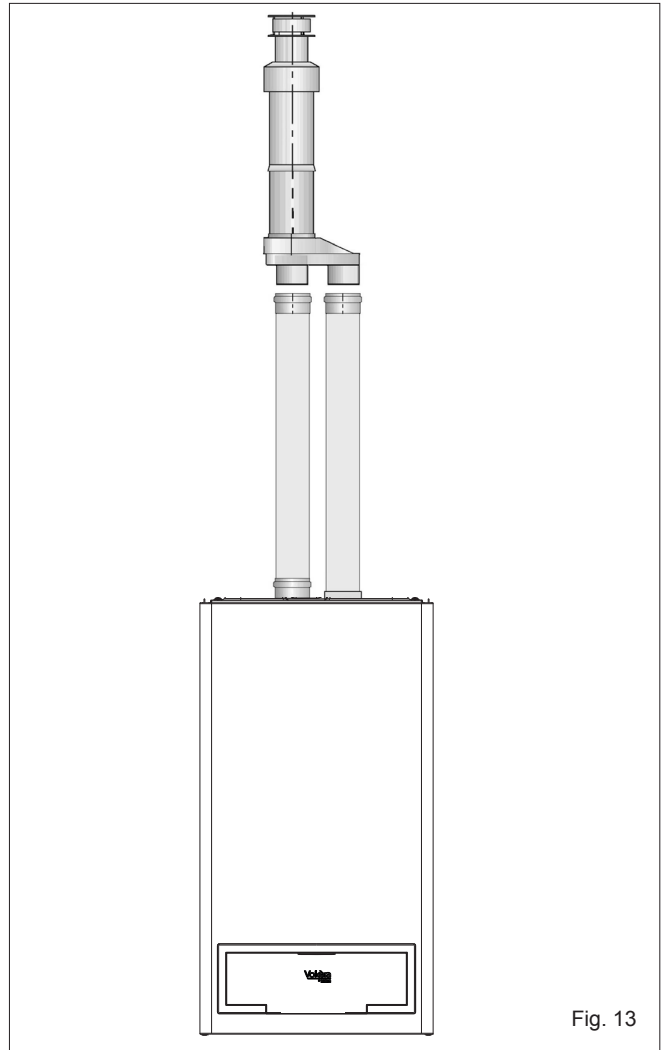
Fit the appropriate flashing plate to the roof and insert the vertical flue terminal through the flashing plate from the outside, ensuring that the collar on the flue terminal fits over the flashing. Push-fit the twin flue pipes onto the concentric to twin converter ensuring that the exhaust pipe connects to the exhaust connection on the concentric to twin converter.

If necessary cut the plain ends (male) of the twin flue pipes to allow connection to the concentric to twin converter.

NOTE

- Before cutting twin flue pipes ensure allowances have been made for connection onto the previous piece and onto the concentric to twin converter. The last twin flue pipes must be pushed 50mm onto the male spigots of the concentric to twin converter.

- You must ensure that the entire flue system is properly supported and connected.
- Ensure that any horizontal sections of pipe have a 3° fall towards the appliance (51mm per 1000mm).



4.6 CONNECTING THE GAS AND WATER

The appliance is supplied with a 15mm service valve for the gas connection and 22mm copper to brass adapters for the flow and return connections. The service valve is of the compression type. The accessories pack also contains sealing washers etc, for use with the service valve and copper connections.

When connecting pipe work to the valves, tighten the compression end first then insert the sealing washers before tightening the valve to the appliance.

NOTE

It will be necessary to hold the valve with one spanner whilst tightening with another.

4.6.1 GAS (fig. 6)

The appliance is supplied with a 15mm service valve, connect a 15mm pipe to the inlet of the valve and tighten both nuts.

NOTE

It will be necessary to calculate the diameter of the gas supply pipe to ensure the appliance has an adequate supply of gas.

4.6.2 FLOW & RETURN (fig. 6)

The appliance is supplied with 22mm copper to brass adapters for the flow and return service connections.

NOTE

The flow and return pipe work can be routed vertically through the rear of the appliance via the 2-holes located in the appliance back frame.

Depending on system requirements, it may necessary to increase the size of the flow & return pipe work after the service connections.

Ensure any pipework routed via the top of the appliance does not foul or interfere with the flue outlet.

4.6.3 CONDENSE PIPE

This appliance will - under normal operating conditions - produce condensate fluid that will require to be disposed of via the dwelling's waste water drainage system. Vokera strongly recommends that the condensate pipe is connected to the internal waste water pipework in accordance with BS6798. BS6798 provides comprehensive instruction and advice on all permissible condensate disposal methods; notwithstanding this, it is essential that the following is strictly adhered to:

- Use only plastic drainage pipe (minimum OD of 21.5mm).
- Horizontal runs must incorporate a minimum 45mm fall per metre, away from the appliance.
- External pipework and/or pipework in unheated areas, must have a minimum OD of 32mm and be insulated with Class-O pipe insulation.
- The route, type, and termination of the condensate disposal method, must not permit any spillage of condensate fluid, into the dwelling in the event of a blockage or freezing of the condensate pipework.
- Should it not be possible to route and terminate the condensate pipework internally using 'gravity discharge'; Vokera recommends that the Vokera condensate pump (code 404) be considered as an alternative solution.
- Ensure that the end-user is aware of the effect/consequences of the condensate pipework becoming blocked or frozen.

CONNECTING THE CONDENSATE OUTLET

Gently pull the condensate outlet pipe down from its location inside the boiler until approximately 100mm protrudes from the underside of the boiler. Connect a suitable plastic (not copper) pipe (no less than 20mm diameter) to the outlet pipe and ensure it discharges in accordance with building regulations or other rules in force.

4.7 ELECTRICAL CONNECTIONS

The electrical supply must be as specified in section 3/3A. A qualified electrician should connect the electrical supply to the appliance. If controls – external to the appliance – are required, a competent person must undertake the design of any external electrical circuits, please refer to section 8 for detailed instructions. ANY EXTERNAL CONTROL OR WIRING MUST BE SERVED FROM THE SAME ISOLATOR AS THAT OF THE APPLIANCE. The supply cable from the isolator to the appliance must be 3-core flexible sized 0.75mm to BS 6500 or equivalent. Wiring to the appliance must be rated for operation in contact with surfaces up to 90°C.

4.7.1 CASING REMOVAL (fig. 14)

To gain internal access to the appliance you must first remove the casing, proceed as outlined below:

- Remove the 2 screws (B) located at the Left & Right of the underside of the casing.
- Lift the casing upward to disengage it from the top locating hooks and then remove.
- Store the casing and screws safely until required. Re-fit in the reverse order.

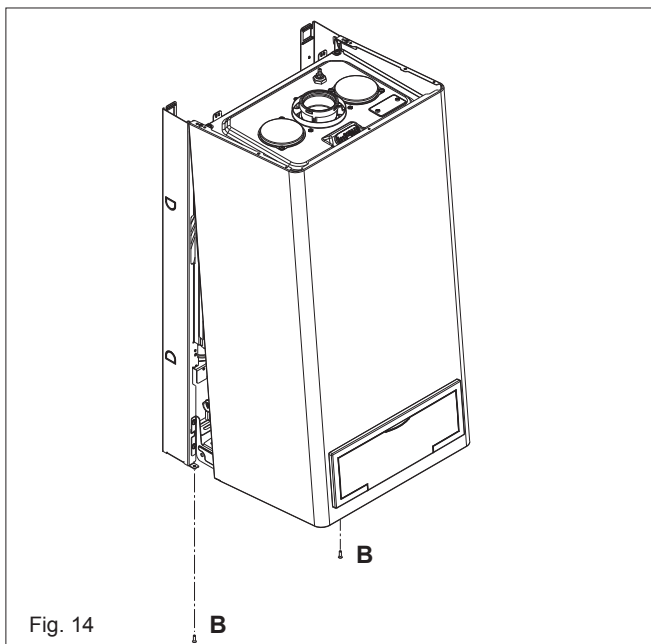


Fig. 14

4.7.2 APPLIANCE TERMINAL BLOCK

The appliance terminal block is located on the rear of the control fascia. Remove the casing as described in 4.7.1. Gently pull the control panel forwards and down. Locate the terminal block cover (see fig. 15).

NOTE

The appliance comes with a factory fitted link ('TA') to allow basic operation of the boiler once the circulating pump has been connected. If it is anticipated that external controls will be required please refer to the wiring diagrams in section 8 for more detailed information.

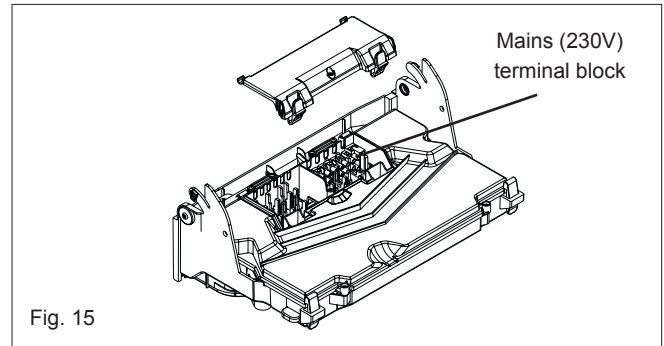


Fig. 15

4.7.3 CONNECTING THE MAINS (230V) INPUT (fig. 16)

Locate and remove the screws securing the terminal block cover (230V). Pass the supply cable through the cable anchorage point. Connect the supply cable wires (LIVE, NEUTRAL, & EARTH) to their corresponding terminals (L, N, & E) on the appliance terminal block. When connecting the EARTH wire, ensure that it's left slightly longer than the others, this will prevent strain on the EARTH wire should the cable become taut.

4.7.4 CONNECTING THE PUMP (230V) OUTPUT (fig. 16)

Pass the pump cable through the cable anchorage point. Connect the pump cable wires (LIVE, NEUTRAL, & EARTH) to their corresponding terminals (L, N, & E) on the appliance terminal block. When connecting the EARTH wire, ensure that it's left slightly longer than the others, this will prevent strain on the EARTH wire should the cable become taut.

Do not remove the link wire unless additional external controls are to be fitted (see section 8). The securing screw on the cable anchorage should now be tightened. This must be done before the control fascia is re-fitted in the upright position. The appliance casing, screws, and lower cover can now be re-fitted.

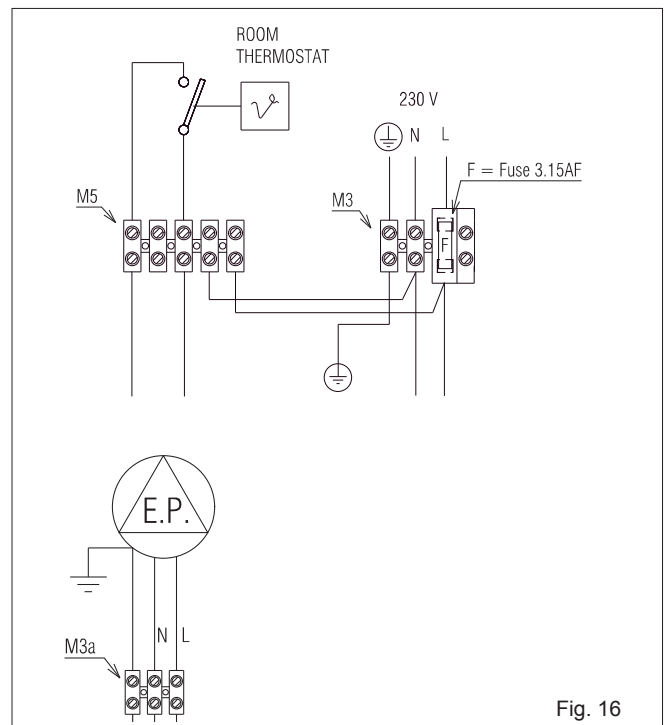


Fig. 16

SECTION 5 COMMISSIONING

5.1 GAS SUPPLY INSTALLATION

Inspect the entire installation including the gas meter, test for soundness and purge. Refer to BS 6891 (I.S. 813 in ROI) for specific instruction.

5.2 THE HEATING SYSTEM

The appliance contains components that may become damaged or rendered inoperable by oils and/or debris that are residual from the installation of the system, consequently it is essential that the system be flushed in accordance with BS 7593 Code of Practice and the following instructions.

5.3 INITIAL FILLING OF THE SYSTEM

Remove appliance casing as described in 4.7.1, identify the automatic air release valves (AAV) and loosen the dust cap/s by turning the cap anti-clockwise one full turn.

Ensure all manual air release valves located on the heating system are closed. Proceed to fill the system via the feed and expansion tank and begin venting all manual air release valves, starting at the lowest first. Once the system has been filled. Inspect the system for water soundness, rectifying any leaks.

5.3.1 MANUAL AIR RELEASE (fig. 17)

When the boiler has been filled for the first time or the system has been drained and refilled, it will be necessary to release any air that may have become trapped within the appliance heat exchanger. Slacken the bleed screw until water is released and then close.

IMPORTANT, THERE ARE NO OTHER MANUAL AIR RELEASE VALVES LOCATED ON THE APPLIANCE.

5.4 INITIAL FLUSHING OF THE SYSTEM

The whole of the heating system must be flushed both cold and hot as detailed in 5.8. Open all radiator and/or heating zone valves. Drain the boiler and system from the lowest points. Open the drain valve full bore to remove any installation debris from the boiler prior to lighting. Refill the boiler and heating system as described in 5.3.

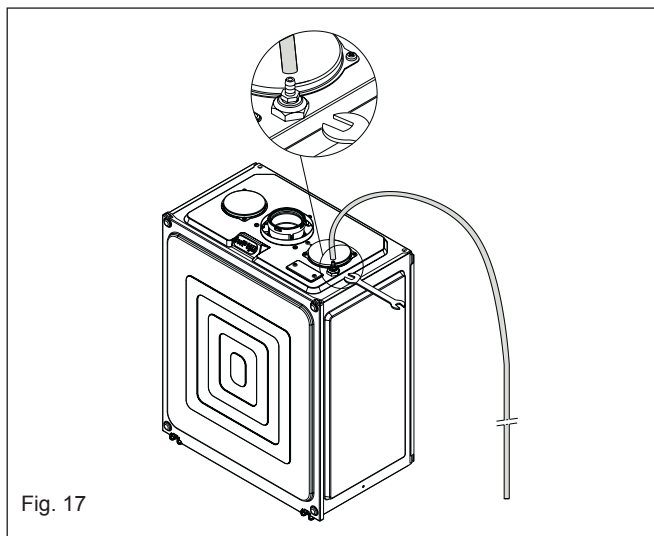


Fig. 17

5.5 PRE-OPERATION CHECKS

Before attempting the initial lighting of the appliance, the following checks must be carried out:

- Ensure all gas service valves from the meter to the appliance are open and the supply pipe has been properly purged;
- Ensure the proper electrical checks have been carried out, (see 7.8) particularly continuity, polarity, and resistance to earth;
- Ensure the 3 AMP fuse – supplied with the appliance – has been fitted.
- Ensure the system has been properly filled and vented.
- Ensure the flue system has been fitted properly and in accordance with the instructions.

5.6 INITIAL LIGHTING

Ensure the electrical supply to the appliance is switched on. Ensure any external controls are switched to an 'ON' position and are calling for heat.

Move the selector switch to the ON position, the appliance will now operate as described in 1.2. Should the appliance fail to ignite, refer to 5.6 and/or section 7 (mode of operation & fault finding).

NOTE

When power is restored to the PCB and/or the PCB is powered for the first time, the appliance will enter a 2-minute purge cycle whereby only the pump will run for 15-seconds then off for 15-seconds and will not "fire" until this period has elapsed.

5.7 CHECKING GAS PRESSURE AND COMBUSTION ANALYSIS

The appliance is factory set so should require no additional adjustment once installed. However to satisfy the requirements of GSIUR 26/9 (I.S. 813 ROI), it will be necessary to gas rate the appliance using the gas meter that serves the appliance and carry out a combustion analysis check in accordance with BS 7967 (UK) to ensure that correct combustion is occurring. Additionally, if the gas valve has been adjusted, replaced, or the appliance has been converted for use with another gas type, then it becomes necessary to carry out a combustion analysis check to ensure that correct combustion is occurring. If there are no means to carry out a combustion analysis check, then it will not be possible to complete the commissioning procedure.

Details on how to carry out the combustion analysis can be found in section 7.

IMPORTANT

It's imperative that a sufficient dynamic – gas – pressure is maintained at all times. Should the dynamic gas pressure fall below an acceptable level, the appliance may malfunction or sustain damage.

5.8 FINAL FLUSHING OF THE HEATING SYSTEM

The system shall be flushed in accordance with BS 7593 Code of Practice (I.S. 813 ROI). Cleansers or chemicals used, must be suitable for Aluminium heat exchangers and shall be from a reputable manufacturer and shall be administered in strict accordance with the manufacturers' instructions.

NOTE

Chemicals used to cleanse the system and/or inhibit corrosion must be pH neutral, i.e. they should ensure that the level of the pH in the system water remains neutral.

Premature failure of certain components can occur if the level of pH in the system water is out-with normal levels.

5.8.1 INHIBITORS

See Section 3 "General Requirements".

5.9 SETTING THE BOILER OPERATING TEMPERATURE

The flow outlet temperature can be adjusted between 20°C - 78°C via the Heating thermostat knob (see fig.1).

5.10 REGULATING THE CENTRAL HEATING SYSTEM

Fully open all radiator and circuit valves and run the appliance for both heating and hot water until heated water is circulating. If conditions are warm remove any thermostatic heads. Adjust radiator return valves and any branch circuit return valves until the individual return temperatures are correct and are approximately equal.

5.11 FINAL CHECKS

- ENSURE ALL TEST NIPPLES ON THE APPLIANCE GAS VALVE ARE TIGHT AND CHECKED FOR TIGHTNESS.
- ENSURE THE APPLIANCE FLUE SYSTEM IS FITTED CORRECTLY AND IS PROPERLY SECURED.

- ENSURE ALL PIPE WORK IS RE-CHECKED FOR TIGHTNESS.
- RE-FIT APPLIANCE CASING.
- COMPLETE BENCHMARK CHECKLIST.

FOR UK ONLY

Complete details of the boiler, controls, installation and commissioning in the Benchmark checklist at the back of this book. It is important that the Benchmark checklist is correctly completed and handed to the user. Failure to install and commission the appliance to the manufacturers instructions will invalidate the warranty.

5.12 INSTRUCTING THE USER

Hand over all documentation supplied with this appliance – including these instructions – and explain the importance of keeping them in a safe place.

Explain to the user how to isolate the appliance from the gas, water and electricity supplies, and the locations of all drain points. Show the user how to operate the appliance and any associated controls correctly.

Show the user the location of any isolating valves and the location of all manual air release points.

Explain to the user how to turn off the appliance for both long and short periods and advise on the necessary precautions to prevent frost damage.

Explain to the user that for continued safe and efficient operation, the appliance must be serviced annually by a competent person.

IMPORTANT

To validate the appliance warranty, it's necessary to register the appliance details with us. The warranty can be registered in several ways:

- Online at: vokera.co.uk
- for UK residents by calling: 0800 479 0751
- for ROI residents by calling: 056 7755055.

SECTION 6 SERVICING INSTRUCTIONS

6.1 GENERAL

Once the appliance has been serviced, the benchmark Service Record must be completed.

For UK only: It is important that the Benchmark Service Record is correctly completed and handed to the user. Failure to install and commission the appliance to the manufacturers instructions will invalidate the warranty.

To ensure the continued safe and efficient operation of the appliance, it is recommended that it is checked and serviced at regular intervals. To ensure correct and safe operation of the appliance, it is essential that any worn or failed component be replaced only with a **genuine Vokera spare part**. It should be remembered that although certain generic components may look similar, they will be specific to an individual appliance or product range. Use of non-genuine Vokera spare parts could invalidate your warranty and may pose a potential safety hazard. The frequency of servicing will depend upon the particular installation conditions, but in general, once per year should be sufficient. It is the law that any servicing work is carried out by competent person such as a Vokera engineer, an approved service agent, British Gas, CORGI registered personnel or other suitably qualified personnel. The following instructions apply to the appliance and its controls, but it should be remembered that the central heating and the domestic hot water systems would also require attention from time to time.

6.2 ROUTINE ANNUAL SERVICING

- Check the operation of the appliance and ensure it functions as described in section 7.
- Compare the performance of the appliance with its design specification. The cause of any noticeable deterioration should be identified and rectified without delay.
- Thoroughly inspect the appliance for signs of damage or deterioration especially the flue system and the electrical apparatus.
- Check and adjust – if necessary – all burner pressure settings (see 7.4).
- Carry out an analysis of the flue gases (see 7.5) and visually check the condition of the entire flue assembly.
- Compare the results with the appliance design specification. Any deterioration in performance must be identified and rectified without delay.
- Check that the burner and main heat exchanger are clean and free from any debris or obstruction.
- Check and clean – if necessary – the condense trap to ensure correct operation.

6.3 REPLACEMENT OF COMPONENTS

Although it is anticipated that this appliance will give years of reliable, trouble free service, the life span of components will be determined by factors such as operating conditions and usage. Should the appliance develop a fault, the fault finding section will assist in determining which component is malfunctioning.

6.4 COMPONENT REMOVAL PROCEDURE

To remove a component, access to the interior of the appliance is essential and it's therefore necessary to remove the appliance casing (4.7). Isolate the appliance from the electrical supply and remove the fuse. And, when necessary, drain the appliance and heating system. Ensure some water absorbent cloths are available to catch any residual water that may drip from the appliance or removed component. Undertake a complete commissioning check as detailed in section 5, after replacing any component.

ALWAYS TEST FOR GAS SOUNDNESS IF ANY GAS CARRYING COMPONENTS HAVE BEEN REMOVED OR DISTURBED.

6.4.1 AIR BOX FRONT COVER REMOVAL (fig. 18)

Locate the two clips and remove air box front cover. If it's necessary to remove the air box side cover, locate and remove the 4 securing screws.

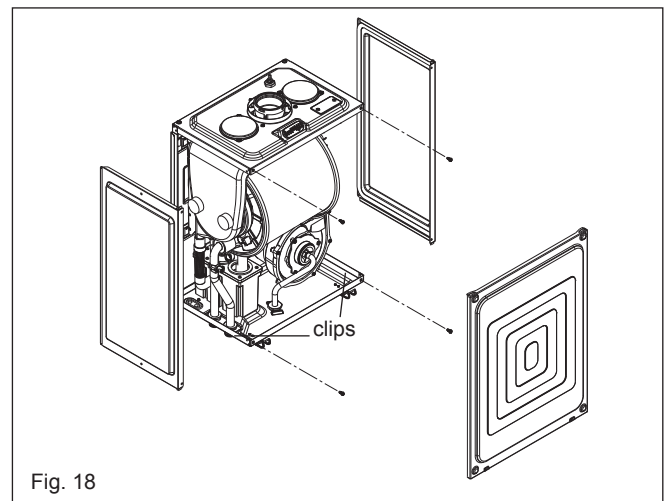
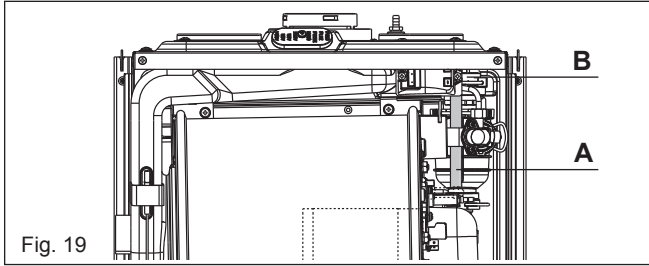


Fig. 18

6.5 AUTOMATIC AIR RELEASE VALVE (fig. 19)

Carry out component removal procedure as described in 6.4. Remove the drain pipe (A). Unscrew the top AAV (B). Replace in the reverse order. Loctite or similar should be used as a thread sealant for the AAV.



6.6 PRIMARY THERMISTOR (fig. 1)

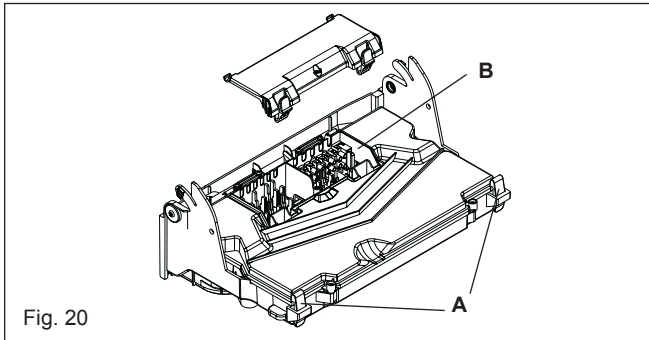
Carry out component removal procedure as described in 6.4. Unclip and remove the air chamber front cover. Unclip the primary thermistor from the flow outlet pipe. Disconnect thermistor electrical plug. Replace in the reverse order.

6.7 RETURN THERMISTOR (fig. 1)

Carry out component removal procedure as described in 6.4. Unclip and remove the air chamber front cover. Unclip the return thermistor from the return inlet pipe. Disconnect thermistor electrical plug. Replace in the reverse order.

6.8 PRINTED CIRCUIT BOARD (fig. 20)

Carry out component removal procedure as described in 6.4. Pull the control fascia forward and lower it. Locate and remove the screws (A) which secure the PCB cover, push the clips (B) and remove cover, after carefully taking note of all wiring connections and jumper tag configuration, disconnect all wiring from the PCB, locate and remove the PCB securing screws, remove the required PCB. Replace in the reverse order ensuring that the position of the 3 control knobs are correctly aligned with the respective potentiometers on the PCB.



Ensure that the correct jumper tag configuration has been respected. It will be necessary to check the functioning of the PCB is set for the correct boiler type/application.

6.9 GAS VALVE (fig. 21)

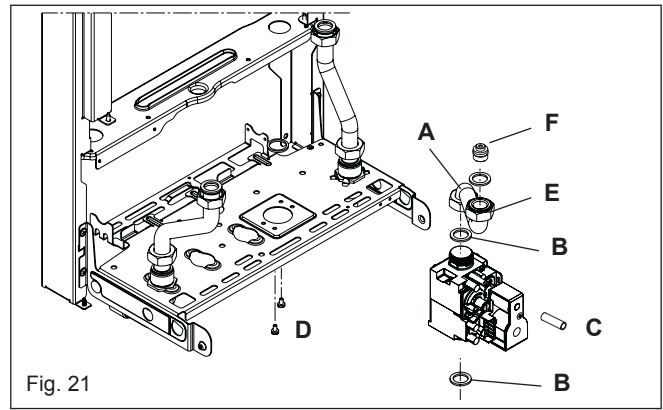
Carry out component removal procedure as described in 6.4. The gas valve must be changed as complete unit. Disconnect the electrical plug and leads from the gas valve, slacken and unscrew gas valve inlet and outlet connections. **Please note**, the sealing washers (B) must be discarded and replaced with new sealing washers. Disconnect the compensation pipe (C). Locate and remove gas valve retaining screws (D) on the underside of the boiler if required, the gas valve can now be removed. Replace in the reverse order. Check and adjust burner pressure settings.

WARNING, A GAS SOUNDNESS CHECK MUST BE CARRIED OUT.

6.10 INJECTOR (fig. 21)

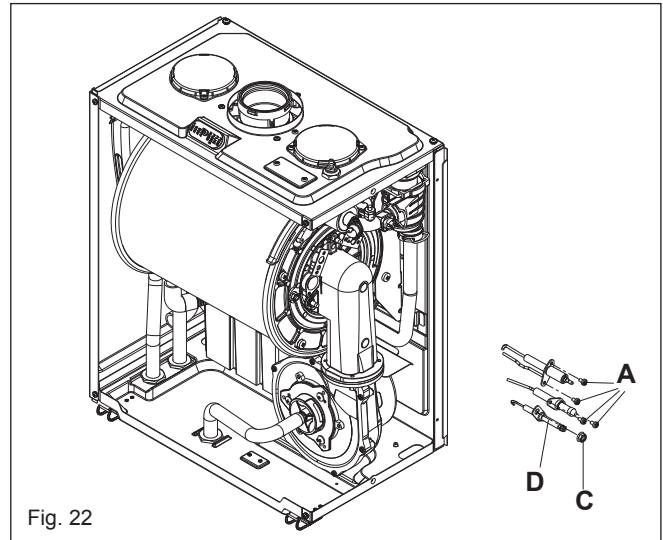
Carry out component removal procedure as described in 6.4. Unscrew and remove gas pipe connections (A&E). Locate and remove the injector (F) inside the pipe. Replace in the reverse order. Check and adjust burner pressure settings.

WARNING, A GAS SOUNDNESS CHECK MUST BE CARRIED OUT.



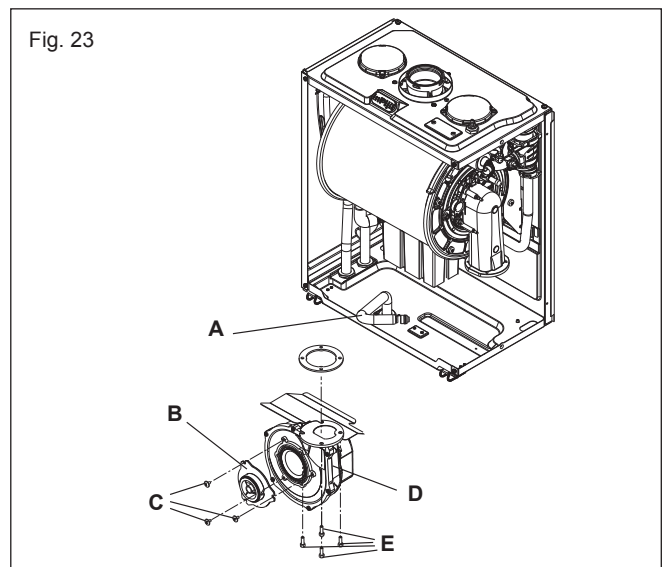
6.11 ELECTRODES & CONDENSE SENSOR (fig. 22)

Carry out component removal procedure as described in 6.4. Unclip and remove the air chamber front and RH side covers. Disconnect the electrode leads and ancillary wiring from their respective connectors. Remove the retaining screws (A) for electrode and remove. Remove the retaining nut (C) for condense sensor (D) and remove.



6.12 FLUE FAN & MIXER (fig. 23)

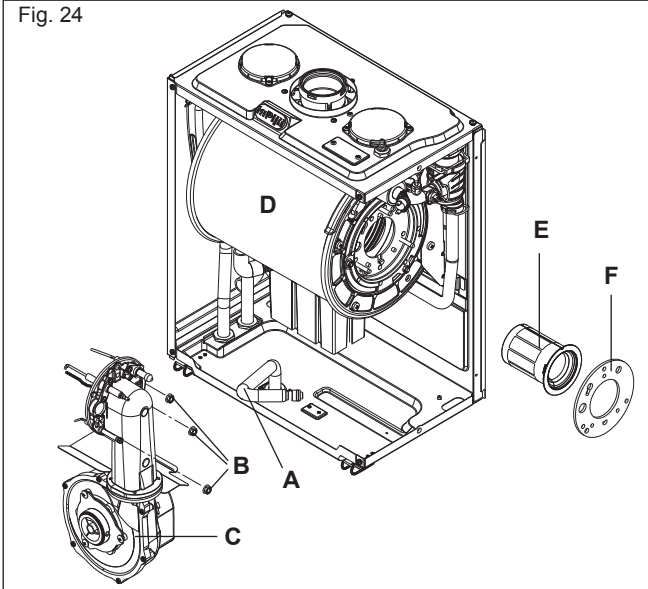
Carry out component removal procedure as described in 6.4. Unclip and remove the air chamber front and the RH side covers. Slacken the gas pipe (A) at the air box connection and swing/rotate away from the fan assembly. Locate and remove the sense electrode. To remove the mixer (B) locate and remove the three screws (C). To remove the fan (D), disconnect the electrical connections attached to the fan, locate and remove the four screws (E). Gently ease the fan from its location. Replace in the reverse order. Ensure all seals are in good condition, taking care to ensure they are replaced correctly.



6.13 BURNER (fig. 24)

Carry out component removal procedure as described in 6.4. Unclip and remove the air chamber front and the RH side covers. Slacken the gas pipe (A) at the air box connection and swing/rotate of the fan assembly. Locate and remove the 3 internal nuts (B) which secure the fan assembly in position (C) to the heat exchanger (D). Gently ease the fan assembly out of its location. Once the assembly has been removed, the burner (E) can be withdrawn from the heat engine. Ensure the seal (F) is in good condition, taking care to ensure it is replaced correctly. Replace in the reverse order.

Fig. 24



6.14 MAIN HEAT EXCHANGER (fig. 25 & 26)

Carry out component removal procedure as described in 6.4. Unclip and remove the three air chamber covers (front, LH, RH sides). Disconnect all the wiring connections.

Fig. 25: Slacken the gas pipe (A) at the air box connection and swing/rotate of the fan assembly. Disconnect the flow (B), return (C) and condense connections on the heat exchanger. Locate and remove the 4-screws (D) that secure the heat exchanger to the combustion chamber. Move the heat exchanger to the right and disconnect it from the flue collector (E). The heat exchanger can now be lifted up and withdrawn from the appliance.

Fig. 25

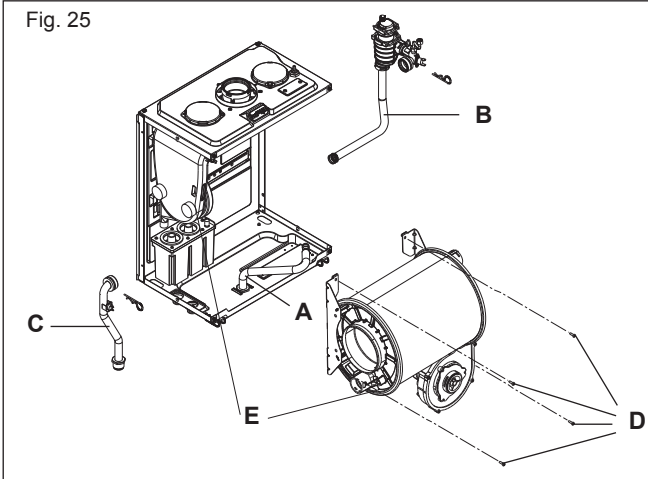


Fig. 26: To remove the fan burner assembly (A) locate and remove the 3 external nuts (B). Replace in the reverse order. Ensure all seals are in good condition, taking care to ensure they are replaced correctly.

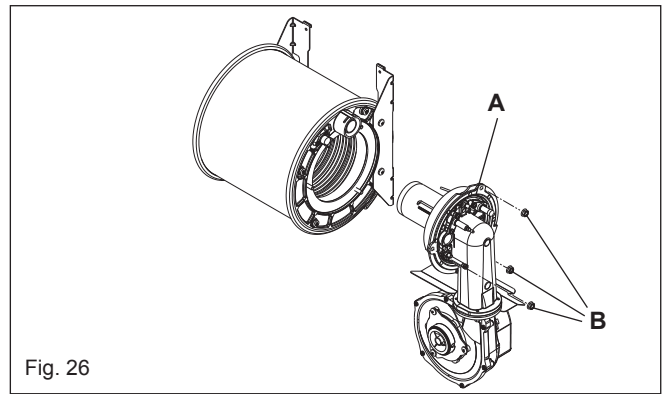


Fig. 26

6.15 CONDENSE TRAP REMOVAL (fig. 27)

Carry out component removal procedure as described in 6.4. Disconnect the 2 upper rubbers condense pipe (A). Remove the pin (B) that secures the trap to the air box plate. Disconnect the lower rubber condense pipe (C) from the condense trap. Carefully remove the condense trap. Replace in the reverse order.

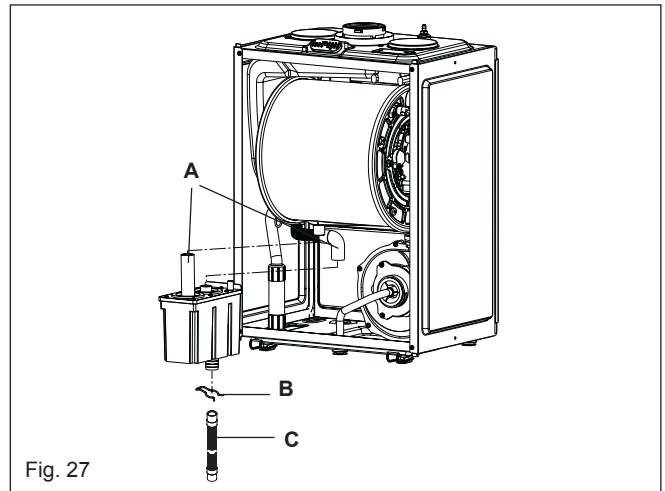
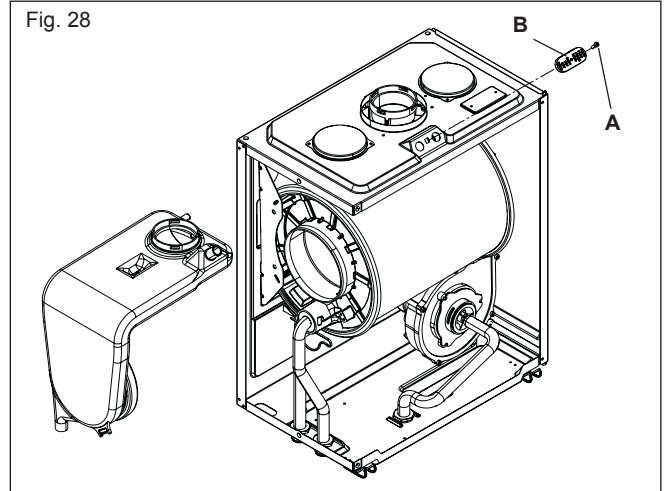


Fig. 27

6.16 FLUE COLLECTOR REMOVAL (fig. 28)

Carry out component removal procedure as described in 6.4. Unclip and remove the air chamber front and left side covers. Locate and remove the screw (A) that secures the flue gas analysis test point cover (B). Gently pull down and to the left and ease the flue collector from its location. Replace in the reverse order.

Fig. 28



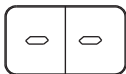
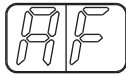
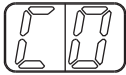


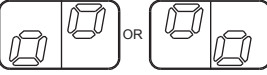
7.1 CHECKING APPLIANCE OPERATION

When carrying out any repairs or servicing to the appliance, the relevant commissioning procedure must be undertaken to ensure the continued safe operation of the appliance. Particular attention should be made to ensure gas soundness, water soundness, and the electrical integrity of the appliance.

7.2 APPLIANCE MODES OF OPERATION

NOTE

The 2-digit display can show several different modes of operation:

Standby/OFF mode	
Frost protection mode active	
Combustion analysis mode active	
Autostop function active	
Normal heating request (example 60°C)	
Purge cycle mode	

7.2.1 SELECTOR SWITCH IN THE OFF/STANDBY POSITION

When the selector switch is in the OFF/STANDBY position, the following functions are active.

Active functions:

- Frost-protection system
- Pump anti-block.

7.2.2 ON-BOARD FUNCTIONS

- **AUTOSTOP:** Further information on the AUTOSTOP function, can be obtained from your local Vokera Sales Representative.
- **CO FUNCTION:** The CO function when activated, will allow the appliance to run at maximum and minimum output whilst a combustion analysis check is being carried out. Whilst the CO function is active, all other functions are disabled (minimum power operating period, anti-cycle, set-point, etc). Once enabled, the CO function will remain active for a 15-minute period, or until the function is manually deactivated
- **FROST-PROTECTION:** this function is only active when there are no requests for heating or HW. If the temperature drops below 5°C, the boiler will operate on minimum power until the temperature of the primary thermistor reaches 35°C. Thereafter the pump & fan will over-run for five minutes.
- **ANTI-CYCLE FUNCTION:** The anti-cycle function ensures the burner remains switched off for at least 5-minutes after the set-point hysteresis (set-point + 2 -8 °C).
- **PUMP ANTI-BLOCK FUNCTION:** when there has been no heating or HW request for 24-hours, the anti-block cycle is activated. The pump will be activated for a period of 30-seconds.
- **PUMP DISCHARGE FUNCTION:** at the end of any heating request, the appliance will perform a post-circulation whereby the pump will remain on for approximately 2-minutes. Any new heating request will be delayed until the post-circulation has completed.

- **PUMP CYCLE MODE:** when power is restored to the PCB and/or the PCB is powered for the first time, the appliance will enter a 2-minute purge cycle whereby only the pump will run for 15-seconds then off for 15-seconds and will not “fire” until this period has elapsed.

7.2.3 HEATING MODE

With the selector switch in the ON position and any additional controls (time clock, programmer, room thermostat, etc,) calling for heat, the appliance will operate in the heating mode. The external pump and fan will be activated via the flow temperature sensor. When the fan is sensed to be operating correctly (tacho signal), the ignition sequence commences. Ignition is sensed by the electronic circuitry to ensure flame stability at the burner. Once successful ignition has been achieved, the electronic circuitry increases the gas rate to 75% of the MAX Heating (set by the corresponding HTG trimmer) for a period of 15 minutes. The speed of the fan and therefore the output of the boiler is determined by the temperature of the water sensed by the flow temperature sensor, consequently a high temperature at the flow sensor results in a lower fan speed. As the water temperature increases, the temperature sensors – located on the flow pipe of the boiler – reduce the fan speed via the electronic circuitry. Depending on the load, either the water temperature will continue to rise until the set point is achieved or the water temperature will fall whereby fan speed will increase relative to the output required. When the boiler has reached the set point (+ hysteresis), the burner will switch off. The built-in anti-cycle device prevents the burner from re-lighting for approximately 5-minutes. When the temperature of the flow sensor falls below the set point (- hysteresis), the burner will re-light.

NOTE

If the spark/sensing electrode does not sense ignition the appliance will re-attempt ignition a further 4-times then go to lockout. When the set-point has been reached (the position of the heating temperature selector) as measured at the primary thermistor, the appliance will begin the modulation phase whereby the fan and gas valve will continuously modulate to maintain the set-point.

If the temperature continues to rise and exceeds the set-point by 2°C (hysteresis), the burner will shut down. A new ignition sequence will be enabled when the 5- minute anti-cycle has been performed and the temperature at the primary thermistor has dropped 8°C (hysteresis) below the set-point.

NOTES

When the request for heating and/or hot water has been satisfied, the appliance pump and fan may continue to circulate to dissipate any residual heat within the appliance.

7.3 APPLIANCE FAN SPEEDS

The appliance fan speeds require to be checked and/or adjusted prior to making any adjustments to the gas valve or if the main PCB has been replaced.

ATTENTION

Gas type and appliance fan speed (output) **must be set** according to the specific appliance specification. Vokera accepts no responsibility if the gas type and/or fan speed is not correctly adjusted according to the respective appliance specification as detailed on the appliance data badge.

7.3.1 CHECKING/ADJUSTING THE APPLIANCE FAN SPEEDS

Move the selector switch to the OFF position and remove the 3-selector knobs.

7.3.2 ABSOLUTE MAX FAN SPEED

Locate the MAX trimmer (fig. 29) and gently adjust clockwise or counter clockwise to achieve the correct fan speed (see table 7.3.6).

NOTE

The display shows the fan RPM in multiples of 100, i.e. 25 = 2500RPM.

7.3.3 ABSOLUTE MIN FAN SPEED

Locate the MIN trimmer (fig. 36) and gently adjust clockwise or counter clockwise to achieve the correct fan speed (see table 7.3.6).

NOTE

The display shows the fan RPM in multiples of 100, i.e. 25 = 2500RPM.

7.3.4 IGNITION FAN SPEED

Locate the IGN trimmer (fig. 29) and gently adjust clockwise or counter clockwise to achieve the correct fan speed (see table 7.3.6).

NOTE

The display shows the fan RPM in multiples of 100, i.e. 25 = 2500RPM.

7.3.5 HEATING FAN SPEED

Locate the HTG trimmer (fig. 29) and gently adjust clockwise or counter clockwise to achieve the correct fan speed (see table 7.3.6).

NOTE

The display shows the fan RPM in multiples of 100, i.e. 25 = 2500RPM.

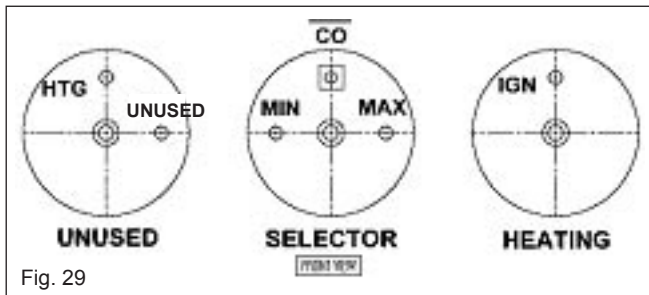


Fig. 29

7.3.6 FAN SPEED TABLE

Use the following table to set the corresponding fan speeds that are relative to the appliance you are working on.

FAN SPEED (rpm) TABLE

MODEL	MAX	MIN	HTG	IGN
18V	5.400	1.700	5.400	3.700

7.4 CHECKING THE CO₂ AND ADJUSTING THE GAS VALVE

THE GAS VALVE MUST BE SET-UP OR ADJUSTED WITH THE AID OF A PROPERLY CALIBRATED FLUE GAS ANALYSER.

Isolate the appliance from the electrical supply and remove the appliance casing as described in 4.7.1. Set the flue gas analyser to read CO₂ and insert the probe into the flue analysis test point (A, B fig. 28). Restore the electrical supply to the boiler and switch the boiler to the OFF mode. To adjust the gas valve you must first ensure that the fan speed potentiometers (trimmers) have been set correctly (see 7.3).

When carrying out a combustion analysis test and/or adjusting the gas valve, you must ensure that all radiators and heating circuits are fully open in order to dissipate heat.

Remove the 3-selector knobs, locate and press the CO button (see fig. 29). The appliance will now operate in CO mode for approximately 15-minutes (see 7.10).

7.4.1 GAS VALVE MAXIMUM SETTING

Locate and gently turn the HTG trimmer till the maximum value (fan speed) is obtained and check that it corresponds with the appropriate CO₂ value (Maximum) for the respective appliance. If the CO₂ reading is correct, proceed to gas valve minimum setting (7.4.2).

However, if the CO₂ reading is incorrect, the maximum gas pressure must be adjusted as follows:

- Using a suitable screwdriver, very slowly turn the maximum adjustment screw (see fig. 30) – clockwise to decrease, counter clockwise to increase – until the correct value is displayed on the CO₂ analyser (allow time for the analyser to stabilise).

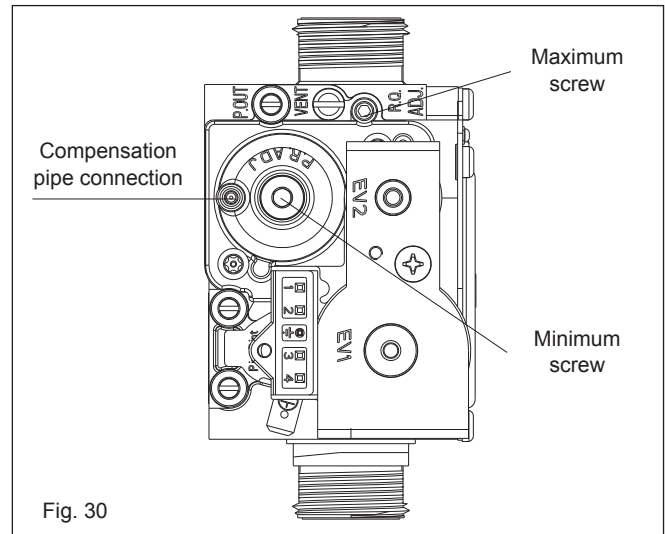


Fig. 30

7.4.2 GAS VALVE MINIMUM SETTING

Locate and gently turn the HTG trimmer till the minimum value (fan speed) is obtained and check that it corresponds with the appropriate CO₂ value (Minimum) for the respective appliance. If the CO₂ reading is correct, rotate the HTG trimmer until the correct value is obtained for the respective appliance (see fan speed table) and proceed to 7.4.3.

However, if the CO₂ reading is incorrect, the minimum gas pressure must be adjusted as follows:

- Using a 2,5mm Allen key, very slowly turn the minimum adjustment screw (see fig. 30) – clockwise to increase, counter clockwise to decrease - until the correct value is displayed on the CO₂ analyser (allow time for the analyser to stabilise).

7.4.3 COMPLETION

On completion of the combustion analysis check and/or any gas valve adjustment, set the HTG trimmer to the corresponding value as detailed in the fan speed table. Refit the 3-selector knobs and move the mode selector to the OFF position. Remove the test probe from the test point and refit the sealing screw/s and/or cap.

IMPORTANT

AGAS SOUNDNESS CHECK MUST BE CARRIED OUT IF ANY GAS CARRYING COMPONENTS HAVE BEEN REMOVED, REPLACED OR DISTURBED.

7.5 COMBUSTION ANALYSIS TEST

A combustion analysis check can easily be carried out on the appliance via the test points located on the top of the appliance (see 7.4).

- Insert the flue gas analyser probe into the flue gas test point (see fig. 35).
- Operate the boiler in CO mode and compare the values with those shown in section 2 (Nat. Gas) or section 9 (LPG). If different adjust the gas valve according to 7.4.1, 7.4.2 & 7.4.3.

Note

When checking the air inlet test point, insert the probe no more than 25mm into the test point.

7.6 EXTERNAL FAULTS

Before carrying out any faultfinding or component replacement, ensure the fault is not attributable to any aspect of the installation.

7.6.1 INSTALLATION FAULTS

Symptom	Possible cause
No display/ignition	Check wiring/check electrical supply
No hot water	Check external controls
No heating	Check external controls

Fault code	Possible cause
10	Check gas supply, check flue system, check polarity

7.7 ELECTRICAL CHECKS

Any electrical checks must be carried out by a suitably qualified person.

7.7.1 EARTH CONTINUITY TEST

Isolate the appliance from the electrical supply, and using a suitable multi-meter carry out a resistance test. Connect test leads between an appliance earth point and the earth wire of the appliance supply cable. The resistance should be less than 1 OHM. If the resistance is greater than 1 OHM check all earth wires and connectors for continuity and integrity.

7.7.2 SHORT CIRCUIT CHECK

Isolate the appliance from the electrical supply, and using a suitable multi-meter, carry out a short circuit test between the Live & Neutral connections at the appliance terminal strip (fig.16). Repeat above test on the Live & Earth connections at the appliance terminal strip (fig.16).

NOTE

Should it be found that the fuse has failed but no fault is indicated, a detailed continuity check will be required to trace the fault. A visual inspection of components may also assist in locating the fault.

7.7.3 POLARITY CHECK

With the appliance connected to the electrical supply and using a suitable multimeter, carry out the following voltage tests:

- Connect test leads between the Live & Neutral connections at the appliance terminal strip (fig.16). The meter should read approximately 230V ac. If so proceed to next stage. If not, see 7.8.
- Connect test leads between the Live & Earth connections at the appliance terminal strip (fig.16). The meter should read approximately 230V ac. If so proceed to next stage. If not, see 7.8.
- Connect test leads between the Neutral & Earth connections at the appliance terminal strip (fig.16). The meter should read approximately 0 – 15Vac. If so polarity is correct. If not, see 7.8.

7.7.4 REVERSED POLARITY OR SUPPLY FAULT

Repeat the above tests at the appliance isolator, if testing reveals correct polarity and/or supply at the isolator, re-check wiring and connections between the isolator and the appliance. If tests on the isolator also reveal reversed polarity or a supply fault, consult the local electricity supplier for advice.

7.7.5 RESISTANCE TO EARTH CHECK

Isolate the appliance from the electrical supply, and using a suitable multi-meter carry out a resistance test. Connect test leads between the Live & Earth connections at the appliance terminal strip (fig. 16). If the meter reads other than infinity there is a fault that must be isolated, carry out a detailed continuity check to identify the location of the fault.

These series of checks must be carried out before attempting any faultfinding procedures on the appliance. On completion of any task that required the disconnection and re-connection of any electrical wiring or component, these checks must be repeated.

7.8 FAULT FINDING

Before attempting any fault finding, the electrical checks as detailed in 7.7 must be carried out. Isolate the appliance from the electrical supply.

Disconnect any external controls from terminal plug M5 (fig. 16), and insert a link-wire between the two wires at the 'TA' connections (fig. 16).

NOTE

Restore the electrical supply to the boiler and turn the selector switch to the on position. The boiler should now function as described in section 7.2. Should the boiler fail to respond, the internal fuses and connectors should be checked to ensure integrity and continuity. If the boiler still fails to respond, refer to the detailed faultfinding flowcharts located at the end of this section.

7.9 COMPONENT VALUES & CHARACTERISTICS

COMPONENT	VALUE
Fan	230Vac
External pump output	230Vac
Ignition transformer	230Vac
Gas valve	230Vac
Room thermostat connection	230Vac
NTC thermistor (dry contact)	10Kohm
NTC thermistor (wet contact)	10Kohm
Fume thermostat (dry contact) (°C)	87
FUNCTION	VALUE
Standard Heating Range (°C)	40 - 76
CH limited power at 75%	15 Min
Heating OFF hysteresis (°C)	SP + 2
Heating ON hysteresis (°C)	SP - 8
Anti-cycle delay	5-min
Pump over-run	5-min
Low output (min. output + %)	Min+25
CO function max temp. (°C)	87
CO re-light temp. (°C)	75
Co function time	15-min
Flow NTC max temp. (°C)	87
High limit thermostat (°C)	97
Burner thermostat (°C)	170
Maximum differential (°C)	35
IGNITION CONTROL	VALUE
Ignition attempts before L/O (lockout)	5
Re-ignition attempts after loss of flame signal	5

7.10 FAULT CODES

When the boiler detects a temporary fault condition, the appropriate code is shown flashing on the display. If/when the fault code is final, the pump will perform a 60-second post circulation and the red LED will be illuminated.

CODE	CAUSE	ALARM TYPE	ACTION
AL10	Ignition failure/not flame sensed, condense sensor activated	Final	Reset, check appliance operation
AL20	Limit thermostat/Flue thermostat fault	Final	Reset, check appliance operation
AL21	External device fault (UHT/CPA)	Final	Reset, check appliance
AL26	Return temperature too high	Final	Reset, check pump, ensure there is sufficient circulation around heating circuit/s
AL28	Temperature differential inverted (return sensor temperature higher than flowsensor temperature)	Final	Reset, check pump, ensure there is sufficient circulation around heating circuit/s thermistors
AL34	Fan tacho signal fault	Final	Reset check appliance operation, check fan
AL52	Internal fault	Final	Reset, check appliance operation
AL55	Jumper tag fault	Final	Check jumper tag configuration
AL60	Jumper tag fault	Temporary	Check jumper tag configuration
AL71	Primary (flow) thermistor fault	Temporary	Check primary thermistor, check wiring
AL73	Return thermistor fault	Temporary	Check return thermistor, check wiring
AL74	No water circulation	Final	Reset, check appliance operation, check pump, ensure there is water and sufficient circulation around heating circuit/s
AL79	Flow temperature too high, or temperature differential between primary and return too high	Final	Reset, check appliance operation, check thermistors

SECTION 8 WIRING DIAGRAMS

8.1 EXTERNAL WIRING

The appliance comes with a factory fitted (TA) link to allow basic operation of the boiler via the mode selector switch. If external controls are to be added to the system, they must be connected to the appliance as shown in the following diagrams. For advice on controls that are not featured in this book, please contact Vokera technical on 0844 391 0999.

NOTE

- THE LINK WIRE MUST BE REMOVED IF ADDITIONAL CONTROLS ARE ADDED
- THE ELECTRICAL SUPPLY TO THE PUMP MUST BE CONNECTED TO THE TERMINALS AS SHOWN IN FIG. 31
- A PERMANENT 230V SUPPLY MUST BE CONNECTED TO THE BOILER AS SHOWN IN FIG. 31.

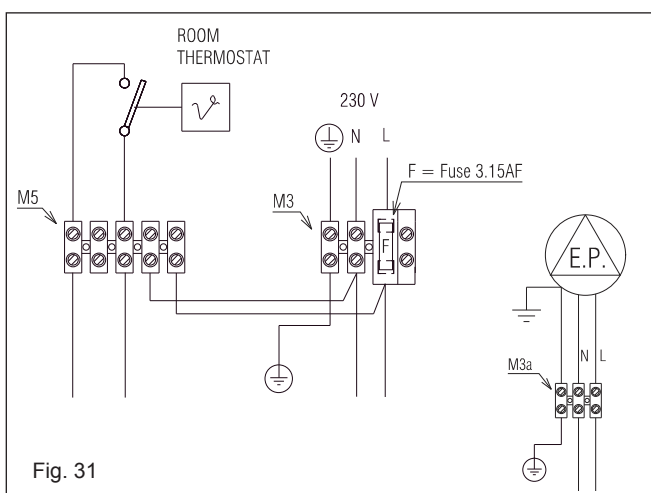


Fig. 31

8.1.1 EXTERNAL WIRING LIMITATIONS

Any external wiring must remain within the limits as detailed in the table below.

CONNECTION	MAX. LENGTH
Room thermostat	30-metres
Time clock	30-metres
Programmer	30-metres

8.2 TYPICAL CONTROL APPLICATIONS

The appliance can be used with the following controls:

- Single-channel, voltage-free time clocks.
- Programmable room thermostats.
- External twin-channel programmers. The appliance can be used in conjunction with typical 'S'-Plan/'Y'-Plan systems (see 8.4.1 & 8.4.2), please contact Vokera technical should you require further detailed instruction.

8.3 OTHER DEVICES

Contact the controls manufacturer and/or Vokera technical department should you require more specific information on the suitability of a particular control. Further guidance on the recommended practice for the installation of external controls, can be found in CHeSS – HC5/HC6 (www.energyefficiency.gov.uk).

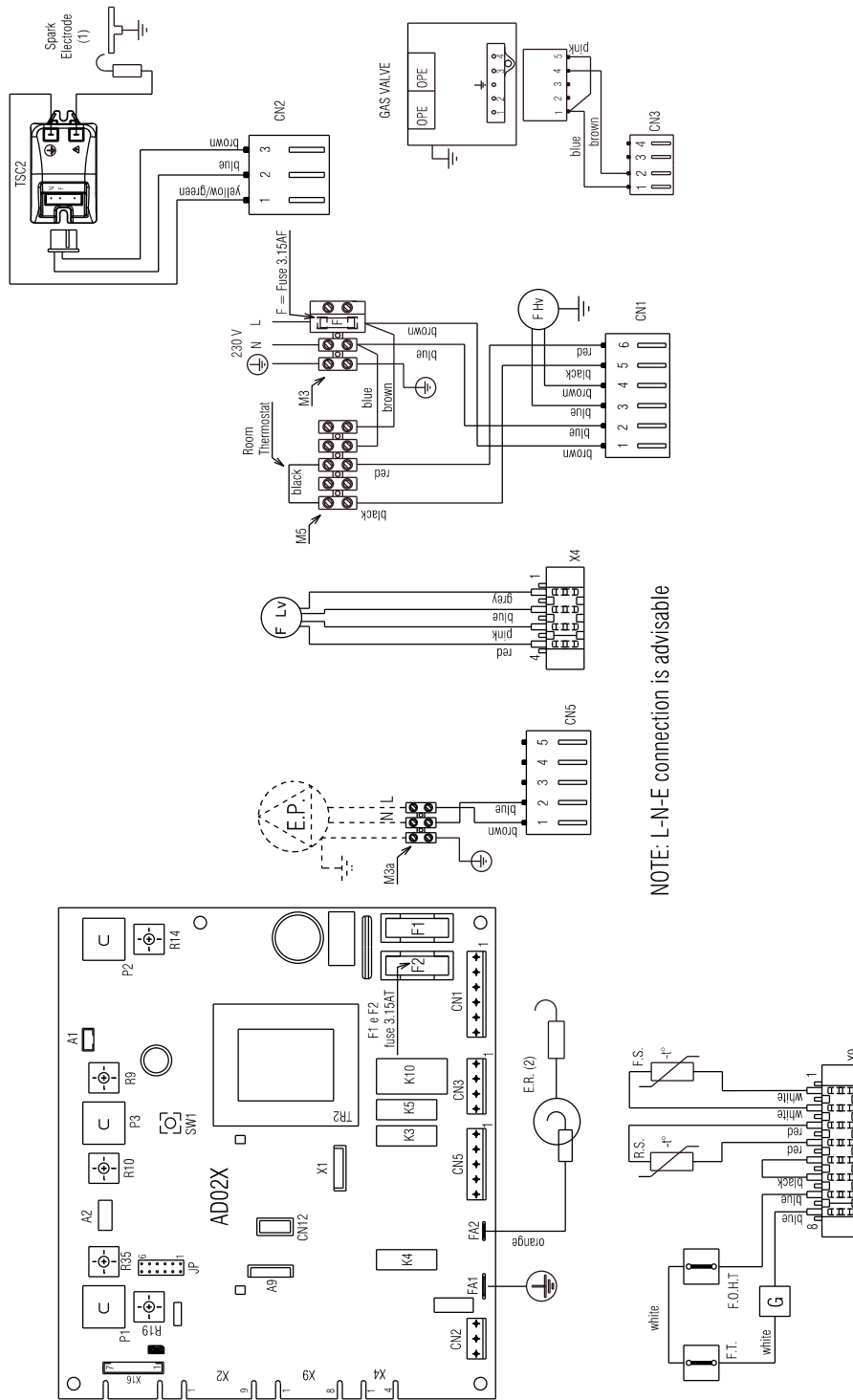
IMPORTANT

- The boiler must always be supplied with a permanent 230V electrical supply.
- The pump must always be connected directly to the pump terminals located within the boiler.
- Always remove the link between TA & TA on the appliance high-voltage terminal strip whenever additional controls are connected to the appliance.

FUNCTIONAL DIAGRAM

Fig. 32

NOTE. L-N-E CONNECTION MUST NOT BE INTERCHANGED
CONTROL SWITCHING OF TIME CLOCK AND ROOM THERMOSTAT RATED IS 230 V.a.c.



NOTE: L-N-E connection is advisable

Key

- F Hv** Fan power supply 230 V
- F Lv** Fan signal control
- E.P.** External pump
- F** Fuse 3.15A F (fast)
- F1-F2** Fuse 3.15A T (delay)
- OPE** Gas valve solenoids
- S.E. (1)** Spark electrode
- S.E. (2)** Sense electrode
- C.S.** Condensate sensor
- G.V.** Gas valve
- TSC2** Ignition transformer
- TR2** PCB transformer
- FS** Flow thermistor (NTC)
- RS** Return thermistor (NTC)
- AD02X** Main PCB
- CN1+CN5** Connection to PCB high voltage
- X4+X9** Connection to PCB low voltage

- F.O.H.T** Flow over heat thermostat
- F.T** Fume thermostat
- G** Cable connector
- M3-M5** Terminal strip for supply in / clock / room thermostat
- M3a** Terminal strip for external pump
- X1** Connector minitank (unused)
- CN12** Service connector
- SW1** Co button
- A1** 24V output to 2CH - programmer
- P2** Heating potentiometer
- R9** Trimmer for maximum output
- R10** Trimmer for minimum output
- R14** Trimmer for ignition fan speed
- R19** Trimmer for heating fan speed
- R35** Trimmer thermoregulation

FUNCTIONAL DIAGRAM

Fig. 33

8.4.1. "S" - Plan with Vokera 2-channel programmer

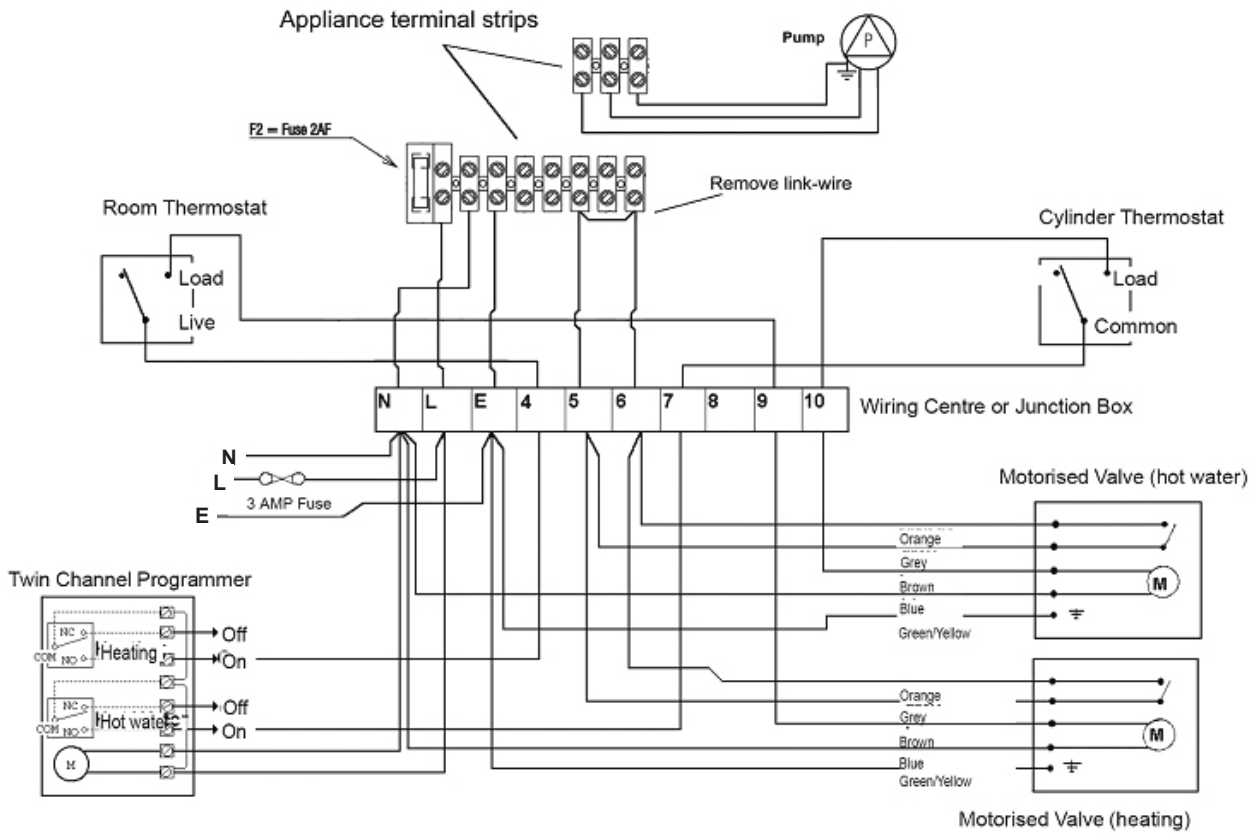
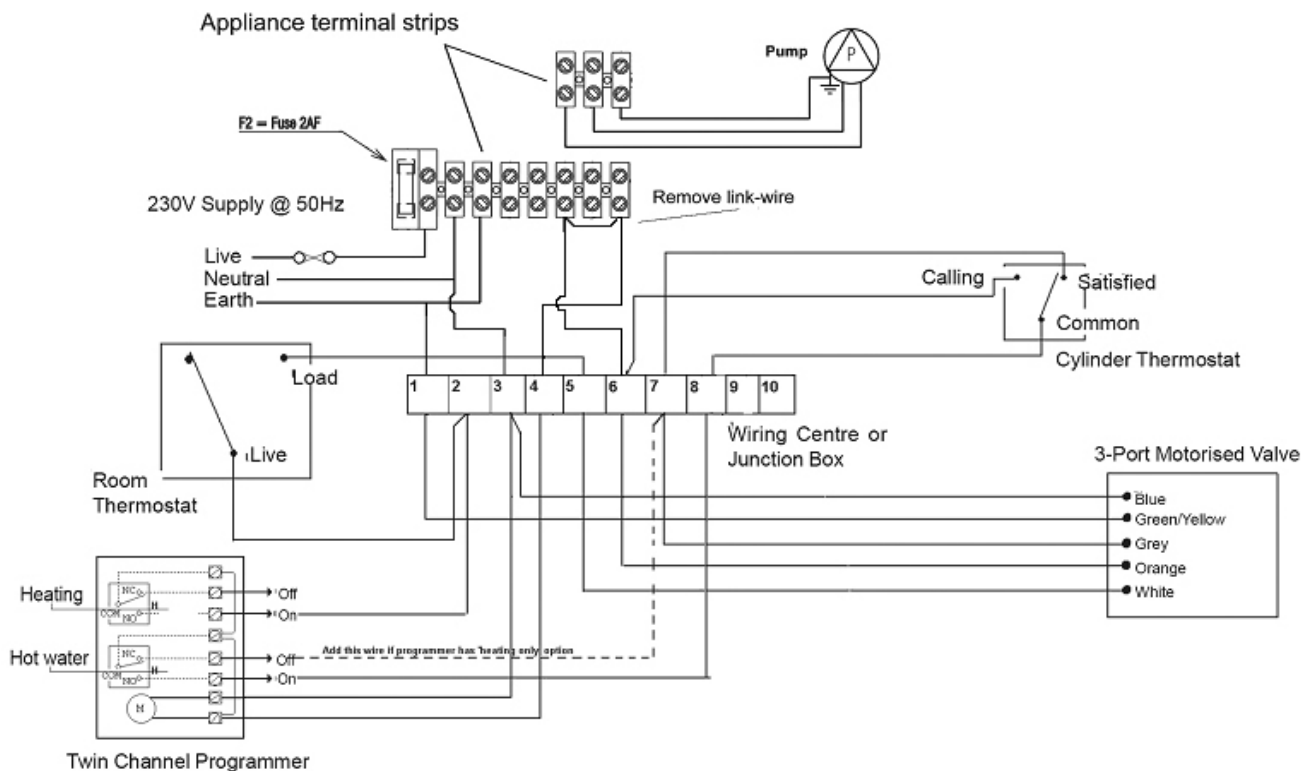


Fig. 34

8.4.2. "Y" - Plan with Vokera 2-channel programmer



SECTION 9 LPG INSTRUCTIONS

9.1 RELATED DOCUMENTS

BS 6798		INSTALLATION OF BOILERS OF RATED INPUT NOT EXCEEDING 60kW
BS 5449	PART 1	FORCED CIRCULATION HOT WATER SYSTEMS
BS 5446		INSTALLATION OF GAS HOT WATER SUPPLIES FOR DOMESTIC PURPOSES
BS 5440	PART 1	FLUES
BS 5482	PART 1	DOMESTIC BUTANE & PROPANE GAS BURNERS IN PERMANENT DWELLINGS

9.2 TECHNICAL DATA

Gas Pressures	Easi Heat Plus 18V
Inlet pressure	37.00 mbar
Maximum gas rate (kg/hr)	1.55
Minimum gas rate (kg/hr)	0.39
Injector size (mm)	3.6
Efficiency	
SEDBUK (%)	91.98 - Band "A"
Emissions	
CO max (p.p.m.)	200
CO min (p.p.m.)	10
NOx max (p.p.m.)	55
NOx min (p.p.m.)	30
CO ₂ max (%)	10.0
CO ₂ min (%)	10.0
CO/CO ₂ ratio (max)	0.002 to 1
CO/CO ₂ ratio (min)	0.0001 to 1

9.3 CONVERTING THE APPLIANCE GAS TYPE

To convert the appliance to another gas type it is necessary to change the burner injector and adjust the gas valve.

- To change the injector see 6.10.
- To adjust CO₂ value see 7.4.1-2-3.

9.4 GAS SUPPLY

The gas supply must be connected to the appliance by a competent LPG installer and must be of sufficient size to supply the appliance at its maximum output. An existing supply must be checked to ensure that it is of adequate size to deal with the maximum rated input of this and any other appliances that it serves.

9.5 GAS SUPPLY INSTALLATION

The entire installation including the meter must be purged and checked for gas soundness.

9.6 ADJUSTING THE GAS VALVE

THE GAS VALVE MUST BE SET-UP OR ADJUSTED WITH THE AID OF A PROPERLY CALIBRATED FLUE GAS ANALYSER.

9.6.1 CHECKING THE CO₂ AND ADJUSTING THE GAS VALVE

THE GAS VALVE MUST BE SET-UP OR ADJUSTED WITH THE AID OF A PROPERLY CALIBRATED FLUE GAS ANALYSER.

Isolate the appliance from the electrical supply and remove the appliance casing as described in 4.7.1. Set the flue gas analyser to read CO₂ and insert the probe into the flue analysis test point (A, B fig. 28). Restore the electrical supply to the boiler and switch the boiler to the OFF mode. To adjust the gas valve you must first ensure that the fan speed potentiometers (trimmers) have been set correctly (see 9.7).

When carrying out a combustion analysis test and/or adjusting the gas valve, you must ensure that all radiators and heating circuits are fully open in order to dissipate heat.

Remove the 3-selector knobs, locate and press the CO button (see fig. 29). The appliance will now operate in CO mode for approximately 15-minutes.

9.6.2 GAS VALVE MAXIMUM SETTING

Locate and gently turn the HTG trimmer till the maximum value (fan speed) is obtained and check that it corresponds with the appropriate CO₂ value (Maximum) for the respective appliance. If the CO₂ reading is correct, proceed to gas valve minimum setting (9.6.2).

However, if the CO₂ reading is incorrect, the maximum gas pressure must be adjusted as follows:

- Using a 2,5mm Allen key, very slowly turn the maximum adjustment screw (see fig. 30) – clockwise to decrease, counter clockwise to increase – until the correct value is displayed on the CO₂ analyser (allow time for the analyser to stabilise).

9.6.3 GAS VALVE MINIMUM SETTING

Locate and gently turn the HTG trimmer till the minimum value (fan speed) is obtained and check that it corresponds with the appropriate CO₂ value (Minimum) for the respective appliance. If the CO₂ reading is correct, rotate the HTG trimmer until the correct value is obtained for the respective appliance (see fan speed table) and proceed to 9.6.3.

However, if the CO₂ reading is incorrect, the minimum gas pressure must be adjusted as follows:

- Using a 2,5mm Allen key, very slowly turn the minimum adjustment screw (see fig. 30) – clockwise to increase, counter clockwise to decrease - until the correct value is displayed on the CO₂ analyser (allow time for the analyser to stabilise).

9.6.4 COMPLETION

On completion of the combustion analysis check and/or any gas valve adjustment, set the HTG trimmer to the corresponding value as detailed in the fan speed table. Refit the 3-selector knobs and move the mode selector to the OFF position. Remove the test probe from the test point and refit the sealing screw/s and/or cap.

IMPORTANT

AGAS SOUNDNESS CHECK MUST BE CARRIED OUT IF ANY GAS CARRYING COMPONENTS HAVE BEEN REMOVED, REPLACED OR DISTURBED.

9.7 APPLIANCE FAN SPEEDS

The appliance fan speeds require to be checked and/or adjusted prior to making any adjustments to the gas valve or if the main PCB has been replaced.

ATTENTION

Gas type and appliance fan speed (output) **must be set** according to the specific appliance specification. Vokera accepts no responsibility if the gas type and/or fan speed is not correctly adjusted according to the respective appliance specification as detailed on the appliance data badge.

FAN SPEED (rpm) TABLE

MODEL	MAX	MIN	HTG	IGN
18V	5.400	1.700	5.400	3.700

9.7.1 CHECKING/ADJUSTING THE APPLIANCE FAN SPEEDS

Move the selector switch to the OFF position and remove the 3-selector knobs.

9.7.2 ABSOLUTE MAX FAN SPEED

Locate the MAX trimmer (fig. 29) and gently adjust clockwise or counter clockwise to achieve the correct fan speed (see table above).

NOTE

The display shows the fan RPM in multiples of 100, i.e. 25 = 2500RPM.

9.7.3 ABSOLUTE MIN FAN SPEED

Locate the MIN trimmer (fig. 29) and gently adjust clockwise or counter clockwise to achieve the correct fan speed (see table above).

NOTE

The display shows the fan RPM in multiples of 100, i.e. 25 = 2500RPM.

9.7.4 IGNITION FAN SPEED

Locate the IGN trimmer (fig. 29) and gently adjust clockwise or counter clockwise to achieve the correct fan speed (see table above).

NOTE

The display shows the fan RPM in multiples of 100, i.e. 25 = 2500RPM.

9.7.5 HEATING FAN SPEED

Locate the HTG trimmer (fig. 29) and gently adjust clockwise or counter clockwise to achieve the correct fan speed (see table above).

NOTE

The display shows the fan RPM in multiples of 100, i.e. 25 = 2500RPM.

COMMISSIONING: CO AND COMBUSTION RATIO CHECK

BEFORE CO AND COMBUSTION RATIO CHECK

The boiler installation instructions should have been followed, gas type verified and gas supply pressure/rate checked as required prior to commissioning.

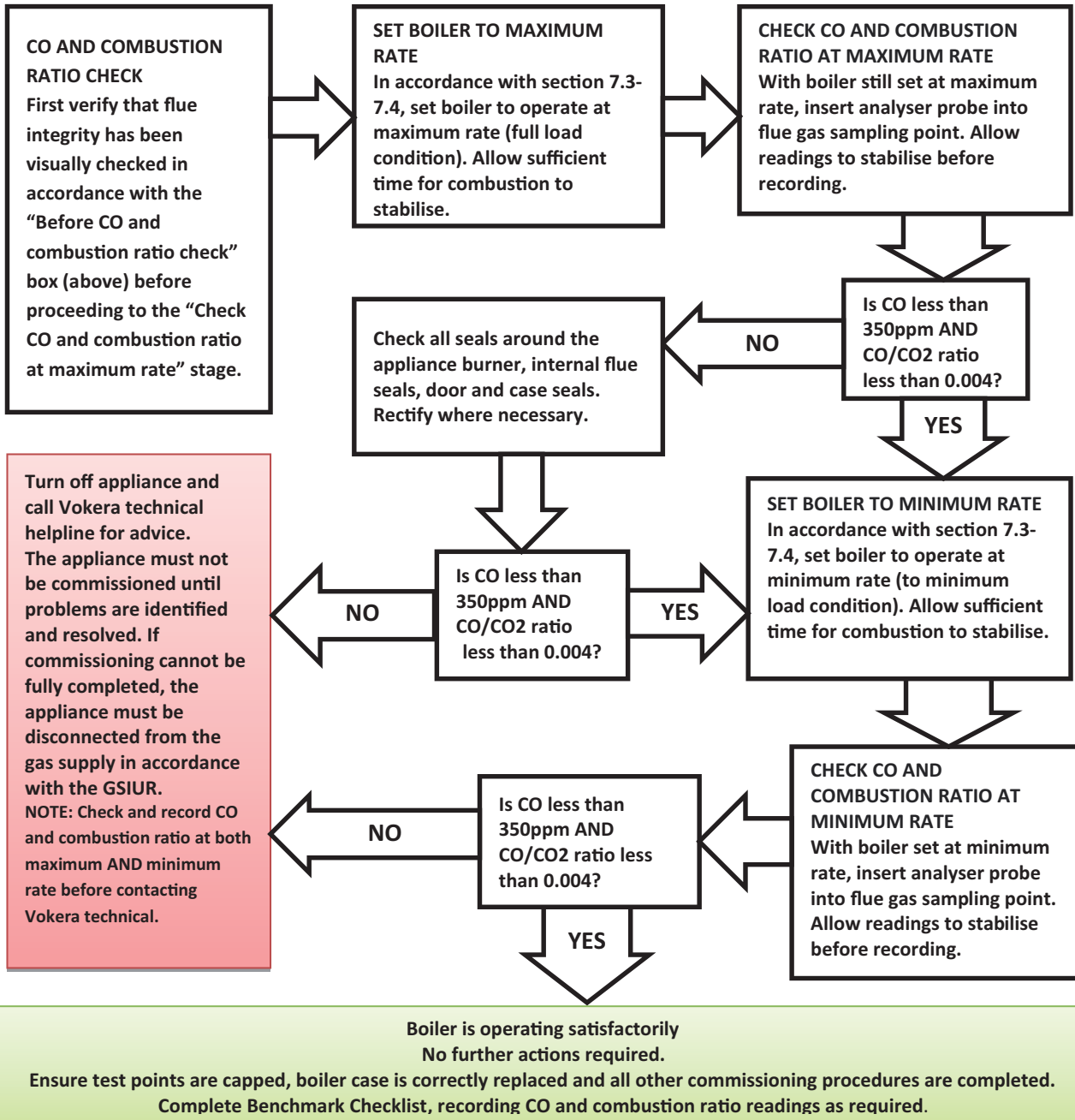
As part of the installation process, **ESPECIALLY WHERE A FLUE HAS BEEN FITTED BY PERSONS OTHER THAN THE BOILER INSTALLER**, visually check the integrity of the whole flue system to confirm that all components are correctly assembled, fixed and supported. Check that the maximum flue lengths have not been exceeded and all guidance has been followed (e.g. Technical Bulletin 008).

The flue gas analyser should be of the correct type, as specified by BS 7967.

Before use, the flue gas analyser should have been maintained and calibrated as specified by the manufacturer. The installer must have the relevant competence for use of the analyser. Check and zero the analyser **IN FRESH AIR**, as per analyser manufacturer's instructions.

NOTE

The air/gas ratio valve is factory-set and must not be adjusted during commissioning unless this action is recommended, following contact with Vokera technical. If any such adjustment is recommended and further checking of the boiler is required, the engineer must be competent to carry out this work and to use the flue gas analyser accordingly. If the boiler requires conversion to operate with a different gas family (e.g., conversion from natural gas to LPG) separate guidance will be provided by Vokera technical and must be followed.



Benchmark Commissioning and Servicing Section

It is a requirement that the boiler is installed and commissioned to the manufacturers instructions and the data fields on the commissioning checklist completed in full.

To instigate the boiler guarantee the boiler needs to be registered with the manufacturer within one month of the installation.

To maintain the boiler guarantee it is essential that the boiler is serviced annually by a Gas Safe registered engineer who has been trained on the boiler installed. The service details should be recorded on the Benchmark Service Interval Record and left with the householder.



www.centralheating.co.uk

GAS BOILER SYSTEM COMMISSIONING CHECKLIST

This Commissioning Checklist is to be completed in full by the competent person who commissioned the boiler as a means of demonstrating compliance with the appropriate Building Regulations and then handed to the customer to keep for future reference.

Failure to install and commission according to the manufacturer's instructions and complete this Benchmark Commissioning Checklist will invalidate the warranty. This does not affect the customer's statutory rights.

Customer name:				Telephone number:			
Address:							
Boiler make and model:							
Boiler serial number:							
Commissioned by (PRINT NAME):				Gas Safe register number:			
Company name:				Telephone number:			
Company address:							
				Commissioning date:			
To be completed by the customer on receipt of a Building Regulations Compliance Certificate*							
Building Regulations Notification Number (if applicable):							
CONTROLS (tick the appropriate boxes)							
Time and temperature control to heating		Room thermostat and programmer/timer Load/weather compensation		Programmable room thermostat		Optimum start control	
Time and temperature control to hot water		Cylinder thermostat and programmer/timer		Combination Boiler			
Heating zone valves		Fitted		Not required			
Hot water zone valves		Fitted		Not required			
Thermostatic radiator valves		Fitted		Not required			
Automatic bypass to system		Fitted		Not required			
Boiler interlock				Provided			
ALL SYSTEMS							
The system has been flushed and cleaned in accordance with BS7593 and boiler manufacturer's instructions						Yes	
What system cleaner was used?							
What inhibitor was used?						Quantity litres	
Has a primary water system filter been installed?						Yes No	
CENTRAL HEATING MODE measure and record:							
Gas rate		m ³ /hr		OR		ft ³ /hr	
Burner operating pressure (if applicable)		mbar		OR Gas inlet pressure		mbar	
Central heating flow temperature						°C	
Central heating return temperature						°C	
COMBINATION BOILERS ONLY							
Is the installation in a hard water area (above 200ppm)?						Yes No	
If yes, and if required by the manufacturer, has a water scale reducer been fitted?						Yes No	
What type of scale reducer has been fitted?							
DOMESTIC HOT WATER MODE Measure and Record:							
Gas rate		m ³ /hr		OR		ft ³ /hr	
Burner operating pressure (at maximum rate)		mbar		OR Gas inlet pressure at maximum rate		mbar	
Cold water inlet temperature						°C	
Hot water has been checked at all outlets						Yes Temperature °C	
Water flow rate						l/min	
CONDENSING BOILERS ONLY							
The condensate drain has been installed in accordance with the manufacturer's instructions and/or BS5546/BS6798						Yes	
ALL INSTALLATIONS							
Record the following:		At max. rate: CO ppm		AND CO/CO ₂ Ratio			
		At min. rate: (where possible) CO ppm		AND CO/CO ₂ Ratio			
The heating and hot water system complies with the appropriate Building Regulations						Yes	
The boiler and associated products have been installed and commissioned in accordance with the manufacturer's instructions						Yes	
The operation of the boiler and system controls have been demonstrated to and understood by the customer						Yes	
The manufacturer's literature, including Benchmark Checklist and Service Record, has been explained and left with the customer						Yes	
Commissioning Engineer's Signature							
Customer's Signature							
(To confirm satisfactory demonstration and receipt of manufacturer's literature)							

*All installations in England and Wales must be notified to Local Authority Building Control (LABC) either directly or through a Competent Persons Scheme. A Building Regulations Compliance Certificate will then be issued to the customer.



SERVICE RECORD

It is recommended that your heating system is serviced regularly and that the appropriate Service Interval Record is completed.

Service Provider

Before completing the appropriate Service Record below, please ensure you have carried out the service as described in the manufacturer's instructions. Always use the manufacturer's specified spare part when replacing controls.

<table border="1" style="width: 100%; border-collapse: collapse;"> <tr> <td style="width: 80%;">SERVICE 01</td> <td style="width: 20%;">Date:</td> </tr> <tr><td colspan="2">Engineer name:</td></tr> <tr><td colspan="2">Company name:</td></tr> <tr><td colspan="2">Telephone No:</td></tr> <tr><td colspan="2">Gas safe register No:</td></tr> <tr> <td>Record:</td> <td>At max. rate: CO ppm AND CO₂ %</td> </tr> <tr> <td></td> <td>At min. rate: (Where Possible) CO ppm AND CO₂ %</td> </tr> <tr><td colspan="2">Comments:</td></tr> <tr><td colspan="2">Signature</td></tr> </table>	SERVICE 01	Date:	Engineer name:		Company name:		Telephone No:		Gas safe register No:		Record:	At max. rate: CO ppm AND CO ₂ %		At min. rate: (Where Possible) CO ppm AND CO ₂ %	Comments:		Signature		<table border="1" style="width: 100%; border-collapse: collapse;"> <tr> <td style="width: 80%;">SERVICE 02</td> <td style="width: 20%;">Date:</td> </tr> <tr><td colspan="2">Engineer name:</td></tr> <tr><td colspan="2">Company name:</td></tr> <tr><td colspan="2">Telephone No:</td></tr> <tr><td colspan="2">Gas safe register No:</td></tr> <tr> <td>Record:</td> <td>At max. rate: CO ppm AND CO₂ %</td> </tr> <tr> <td></td> <td>At min. rate: (Where Possible) CO ppm AND CO₂ %</td> </tr> <tr><td colspan="2">Comments:</td></tr> <tr><td colspan="2">Signature</td></tr> </table>	SERVICE 02	Date:	Engineer name:		Company name:		Telephone No:		Gas safe register No:		Record:	At max. rate: CO ppm AND CO ₂ %		At min. rate: (Where Possible) CO ppm AND CO ₂ %	Comments:		Signature	
SERVICE 01	Date:																																				
Engineer name:																																					
Company name:																																					
Telephone No:																																					
Gas safe register No:																																					
Record:	At max. rate: CO ppm AND CO ₂ %																																				
	At min. rate: (Where Possible) CO ppm AND CO ₂ %																																				
Comments:																																					
Signature																																					
SERVICE 02	Date:																																				
Engineer name:																																					
Company name:																																					
Telephone No:																																					
Gas safe register No:																																					
Record:	At max. rate: CO ppm AND CO ₂ %																																				
	At min. rate: (Where Possible) CO ppm AND CO ₂ %																																				
Comments:																																					
Signature																																					
<table border="1" style="width: 100%; border-collapse: collapse;"> <tr> <td style="width: 80%;">SERVICE 03</td> <td style="width: 20%;">Date:</td> </tr> <tr><td colspan="2">Engineer name:</td></tr> <tr><td colspan="2">Company name:</td></tr> <tr><td colspan="2">Telephone No:</td></tr> <tr><td colspan="2">Gas safe register No:</td></tr> <tr> <td>Record:</td> <td>At max. rate: CO ppm AND CO₂ %</td> </tr> <tr> <td></td> <td>At min. rate: (Where Possible) CO ppm AND CO₂ %</td> </tr> <tr><td colspan="2">Comments:</td></tr> <tr><td colspan="2">Signature</td></tr> </table>	SERVICE 03	Date:	Engineer name:		Company name:		Telephone No:		Gas safe register No:		Record:	At max. rate: CO ppm AND CO ₂ %		At min. rate: (Where Possible) CO ppm AND CO ₂ %	Comments:		Signature		<table border="1" style="width: 100%; border-collapse: collapse;"> <tr> <td style="width: 80%;">SERVICE 04</td> <td style="width: 20%;">Date:</td> </tr> <tr><td colspan="2">Engineer name:</td></tr> <tr><td colspan="2">Company name:</td></tr> <tr><td colspan="2">Telephone No:</td></tr> <tr><td colspan="2">Gas safe register No:</td></tr> <tr> <td>Record:</td> <td>At max. rate: CO ppm AND CO₂ %</td> </tr> <tr> <td></td> <td>At min. rate: (Where Possible) CO ppm AND CO₂ %</td> </tr> <tr><td colspan="2">Comments:</td></tr> <tr><td colspan="2">Signature</td></tr> </table>	SERVICE 04	Date:	Engineer name:		Company name:		Telephone No:		Gas safe register No:		Record:	At max. rate: CO ppm AND CO ₂ %		At min. rate: (Where Possible) CO ppm AND CO ₂ %	Comments:		Signature	
SERVICE 03	Date:																																				
Engineer name:																																					
Company name:																																					
Telephone No:																																					
Gas safe register No:																																					
Record:	At max. rate: CO ppm AND CO ₂ %																																				
	At min. rate: (Where Possible) CO ppm AND CO ₂ %																																				
Comments:																																					
Signature																																					
SERVICE 04	Date:																																				
Engineer name:																																					
Company name:																																					
Telephone No:																																					
Gas safe register No:																																					
Record:	At max. rate: CO ppm AND CO ₂ %																																				
	At min. rate: (Where Possible) CO ppm AND CO ₂ %																																				
Comments:																																					
Signature																																					
<table border="1" style="width: 100%; border-collapse: collapse;"> <tr> <td style="width: 80%;">SERVICE 05</td> <td style="width: 20%;">Date:</td> </tr> <tr><td colspan="2">Engineer name:</td></tr> <tr><td colspan="2">Company name:</td></tr> <tr><td colspan="2">Telephone No:</td></tr> <tr><td colspan="2">Gas safe register No:</td></tr> <tr> <td>Record:</td> <td>At max. rate: CO ppm AND CO₂ %</td> </tr> <tr> <td></td> <td>At min. rate: (Where Possible) CO ppm AND CO₂ %</td> </tr> <tr><td colspan="2">Comments:</td></tr> <tr><td colspan="2">Signature</td></tr> </table>	SERVICE 05	Date:	Engineer name:		Company name:		Telephone No:		Gas safe register No:		Record:	At max. rate: CO ppm AND CO ₂ %		At min. rate: (Where Possible) CO ppm AND CO ₂ %	Comments:		Signature		<table border="1" style="width: 100%; border-collapse: collapse;"> <tr> <td style="width: 80%;">SERVICE 06</td> <td style="width: 20%;">Date:</td> </tr> <tr><td colspan="2">Engineer name:</td></tr> <tr><td colspan="2">Company name:</td></tr> <tr><td colspan="2">Telephone No:</td></tr> <tr><td colspan="2">Gas safe register No:</td></tr> <tr> <td>Record:</td> <td>At max. rate: CO ppm AND CO₂ %</td> </tr> <tr> <td></td> <td>At min. rate: (Where Possible) CO ppm AND CO₂ %</td> </tr> <tr><td colspan="2">Comments:</td></tr> <tr><td colspan="2">Signature</td></tr> </table>	SERVICE 06	Date:	Engineer name:		Company name:		Telephone No:		Gas safe register No:		Record:	At max. rate: CO ppm AND CO ₂ %		At min. rate: (Where Possible) CO ppm AND CO ₂ %	Comments:		Signature	
SERVICE 05	Date:																																				
Engineer name:																																					
Company name:																																					
Telephone No:																																					
Gas safe register No:																																					
Record:	At max. rate: CO ppm AND CO ₂ %																																				
	At min. rate: (Where Possible) CO ppm AND CO ₂ %																																				
Comments:																																					
Signature																																					
SERVICE 06	Date:																																				
Engineer name:																																					
Company name:																																					
Telephone No:																																					
Gas safe register No:																																					
Record:	At max. rate: CO ppm AND CO ₂ %																																				
	At min. rate: (Where Possible) CO ppm AND CO ₂ %																																				
Comments:																																					
Signature																																					
<table border="1" style="width: 100%; border-collapse: collapse;"> <tr> <td style="width: 80%;">SERVICE 07</td> <td style="width: 20%;">Date:</td> </tr> <tr><td colspan="2">Engineer name:</td></tr> <tr><td colspan="2">Company name:</td></tr> <tr><td colspan="2">Telephone No:</td></tr> <tr><td colspan="2">Gas safe register No:</td></tr> <tr> <td>Record:</td> <td>At max. rate: CO ppm AND CO₂ %</td> </tr> <tr> <td></td> <td>At min. rate: (Where Possible) CO ppm AND CO₂ %</td> </tr> <tr><td colspan="2">Comments:</td></tr> <tr><td colspan="2">Signature</td></tr> </table>	SERVICE 07	Date:	Engineer name:		Company name:		Telephone No:		Gas safe register No:		Record:	At max. rate: CO ppm AND CO ₂ %		At min. rate: (Where Possible) CO ppm AND CO ₂ %	Comments:		Signature		<table border="1" style="width: 100%; border-collapse: collapse;"> <tr> <td style="width: 80%;">SERVICE 08</td> <td style="width: 20%;">Date:</td> </tr> <tr><td colspan="2">Engineer name:</td></tr> <tr><td colspan="2">Company name:</td></tr> <tr><td colspan="2">Telephone No:</td></tr> <tr><td colspan="2">Gas safe register No:</td></tr> <tr> <td>Record:</td> <td>At max. rate: CO ppm AND CO₂ %</td> </tr> <tr> <td></td> <td>At min. rate: (Where Possible) CO ppm AND CO₂ %</td> </tr> <tr><td colspan="2">Comments:</td></tr> <tr><td colspan="2">Signature</td></tr> </table>	SERVICE 08	Date:	Engineer name:		Company name:		Telephone No:		Gas safe register No:		Record:	At max. rate: CO ppm AND CO ₂ %		At min. rate: (Where Possible) CO ppm AND CO ₂ %	Comments:		Signature	
SERVICE 07	Date:																																				
Engineer name:																																					
Company name:																																					
Telephone No:																																					
Gas safe register No:																																					
Record:	At max. rate: CO ppm AND CO ₂ %																																				
	At min. rate: (Where Possible) CO ppm AND CO ₂ %																																				
Comments:																																					
Signature																																					
SERVICE 08	Date:																																				
Engineer name:																																					
Company name:																																					
Telephone No:																																					
Gas safe register No:																																					
Record:	At max. rate: CO ppm AND CO ₂ %																																				
	At min. rate: (Where Possible) CO ppm AND CO ₂ %																																				
Comments:																																					
Signature																																					
<table border="1" style="width: 100%; border-collapse: collapse;"> <tr> <td style="width: 80%;">SERVICE 09</td> <td style="width: 20%;">Date:</td> </tr> <tr><td colspan="2">Engineer name:</td></tr> <tr><td colspan="2">Company name:</td></tr> <tr><td colspan="2">Telephone No:</td></tr> <tr><td colspan="2">Gas safe register No:</td></tr> <tr> <td>Record:</td> <td>At max. rate: CO ppm AND CO₂ %</td> </tr> <tr> <td></td> <td>At min. rate: (Where Possible) CO ppm AND CO₂ %</td> </tr> <tr><td colspan="2">Comments:</td></tr> <tr><td colspan="2">Signature</td></tr> </table>	SERVICE 09	Date:	Engineer name:		Company name:		Telephone No:		Gas safe register No:		Record:	At max. rate: CO ppm AND CO ₂ %		At min. rate: (Where Possible) CO ppm AND CO ₂ %	Comments:		Signature		<table border="1" style="width: 100%; border-collapse: collapse;"> <tr> <td style="width: 80%;">SERVICE 10</td> <td style="width: 20%;">Date:</td> </tr> <tr><td colspan="2">Engineer name:</td></tr> <tr><td colspan="2">Company name:</td></tr> <tr><td colspan="2">Telephone No:</td></tr> <tr><td colspan="2">Gas safe register No:</td></tr> <tr> <td>Record:</td> <td>At max. rate: CO ppm AND CO₂ %</td> </tr> <tr> <td></td> <td>At min. rate: (Where Possible) CO ppm AND CO₂ %</td> </tr> <tr><td colspan="2">Comments:</td></tr> <tr><td colspan="2">Signature</td></tr> </table>	SERVICE 10	Date:	Engineer name:		Company name:		Telephone No:		Gas safe register No:		Record:	At max. rate: CO ppm AND CO ₂ %		At min. rate: (Where Possible) CO ppm AND CO ₂ %	Comments:		Signature	
SERVICE 09	Date:																																				
Engineer name:																																					
Company name:																																					
Telephone No:																																					
Gas safe register No:																																					
Record:	At max. rate: CO ppm AND CO ₂ %																																				
	At min. rate: (Where Possible) CO ppm AND CO ₂ %																																				
Comments:																																					
Signature																																					
SERVICE 10	Date:																																				
Engineer name:																																					
Company name:																																					
Telephone No:																																					
Gas safe register No:																																					
Record:	At max. rate: CO ppm AND CO ₂ %																																				
	At min. rate: (Where Possible) CO ppm AND CO ₂ %																																				
Comments:																																					
Signature																																					

*All installations in England and Wales must be notified to Local Authority Building Control (LABC) either directly or through a Competent Persons Scheme. A Building Regulations Compliance Certificate will then be issued to the customer.





Cod. 20137074 - 10/17 - Ed. 0

Registered address:

Vokèra Ltd
Borderlake House
Unit 7 Riverside Industrial Estate
London Colney
Herts AL2 1HG

enquiries@vokera.co.uk

www.vokera.co.uk
www.vokera.ie

Sales, General Enquires

T 0844 391 0999
F 0844 391 0998

Vokèra Ireland
West Court, Callan
Co Kilkenny
T 056 7755057
F 056 7755060

Vokèra Limited reserve the right to change
specification without prior notice
Consumers statutory rights are not affected.

Company Reg No: 1047779